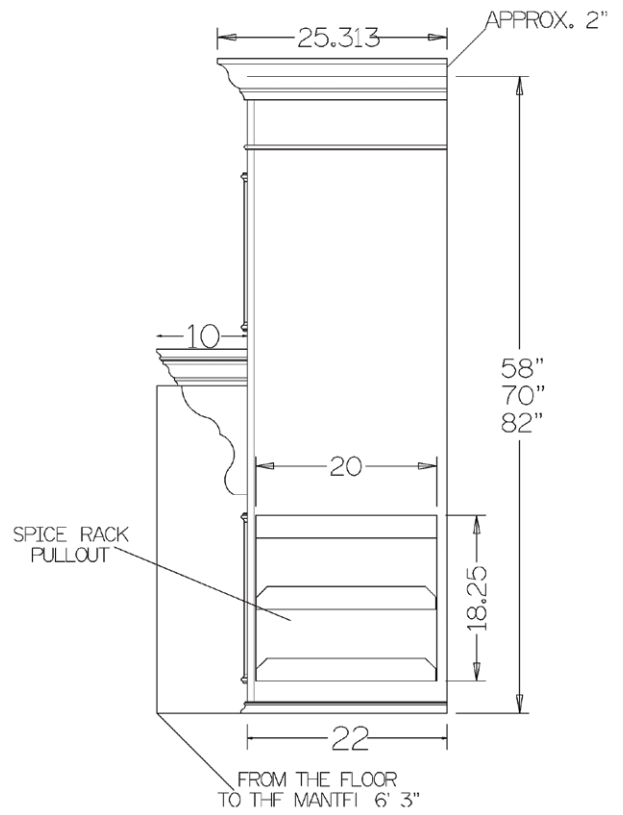


Hoods

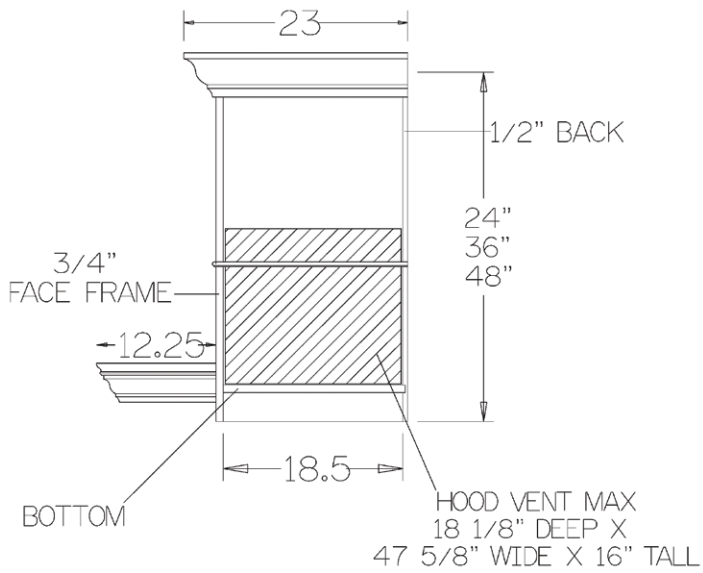


Hoods

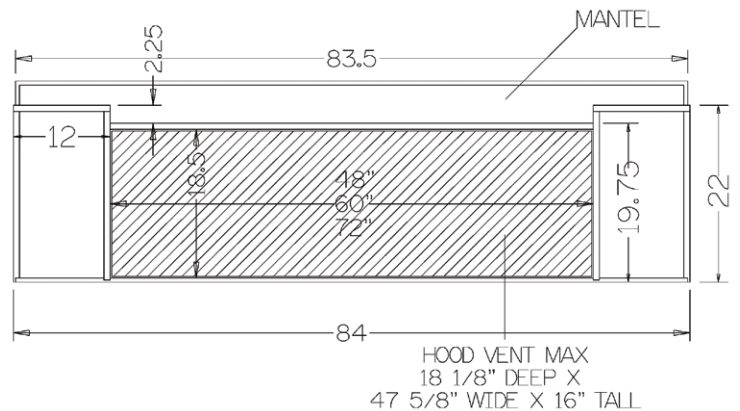
HTA(with pull out spice rack)



VIEW A



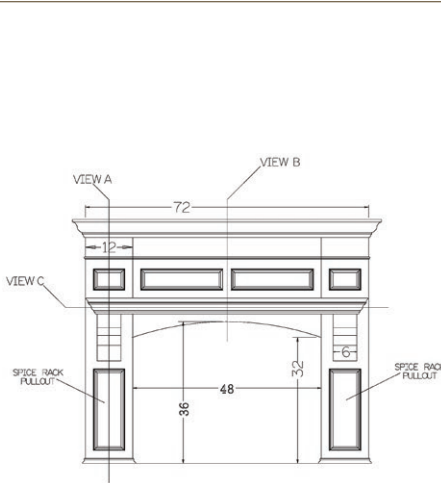
VIEW B



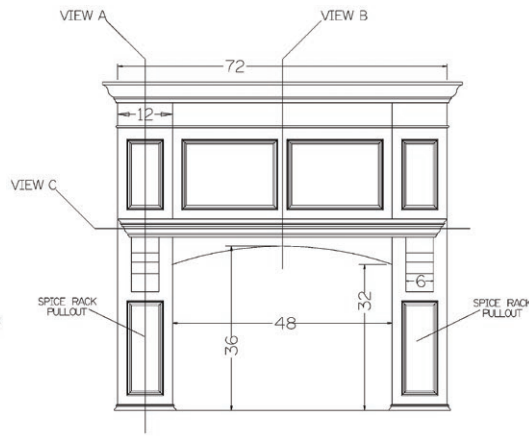
VIEW C

Hoods

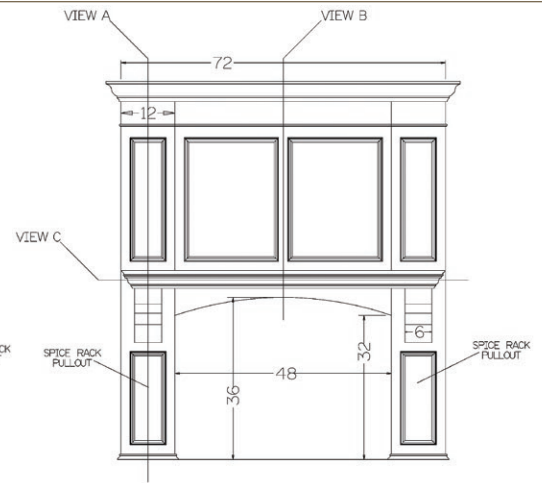
HTA



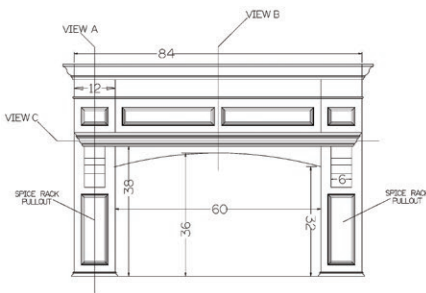
HTA 36-8



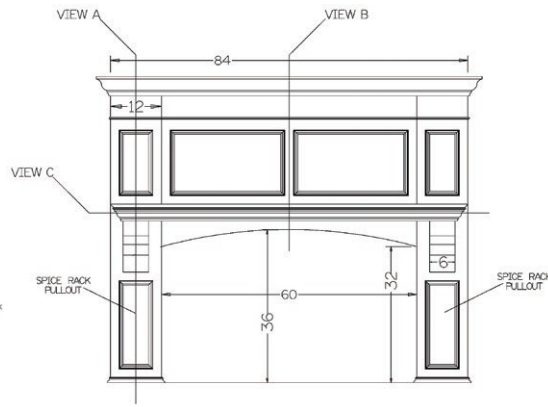
HTA 36-9



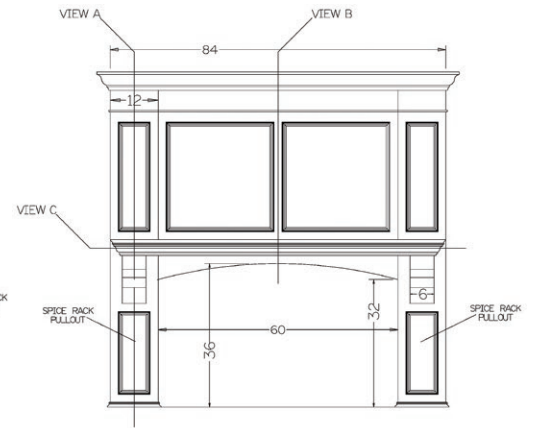
HTA 36-10



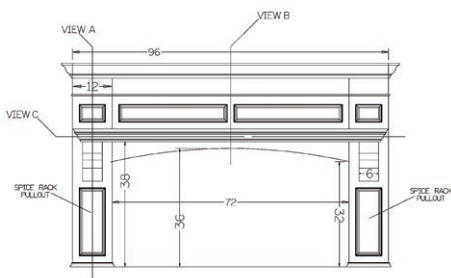
HTA 48-8



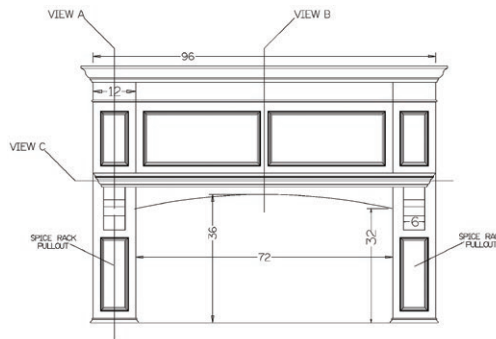
HTA 48-9



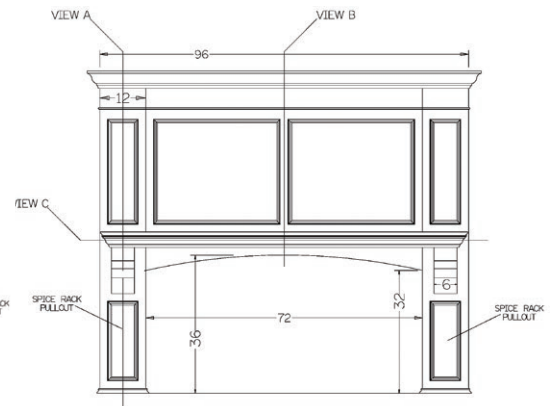
HTA 48-10



HTA 60-8



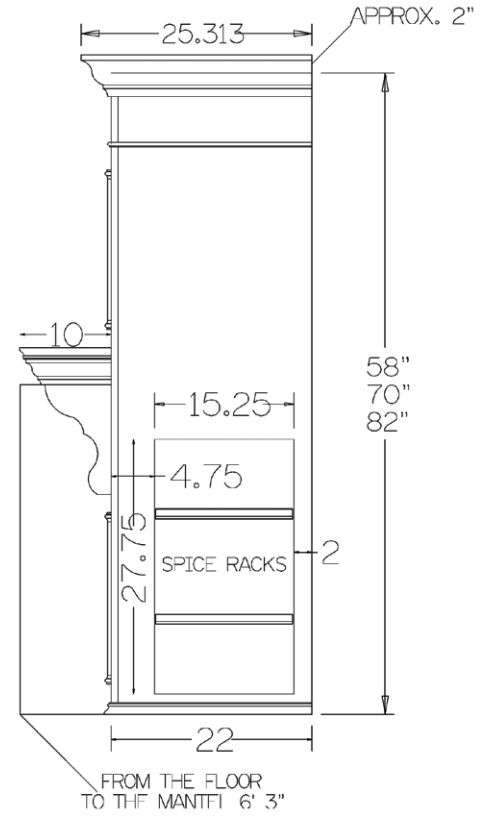
HTA 60-9



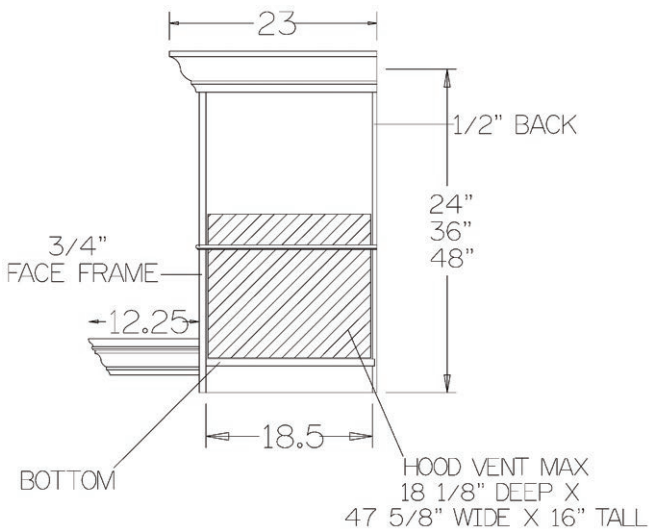
HTA 60-10

Hoods

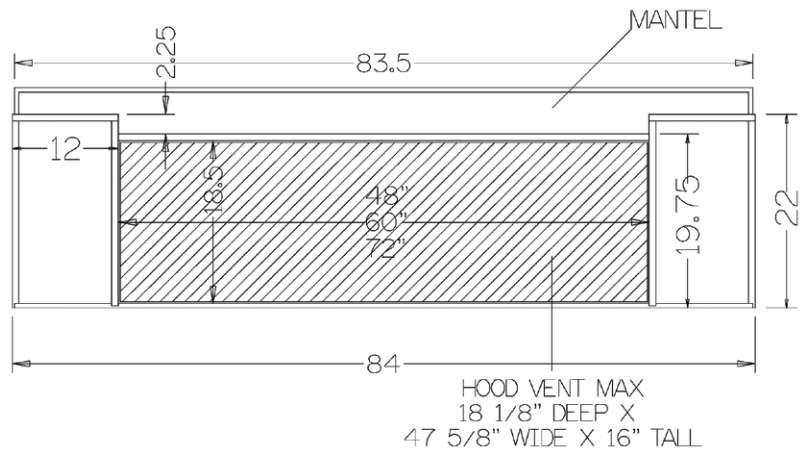
HTB



VIEW A



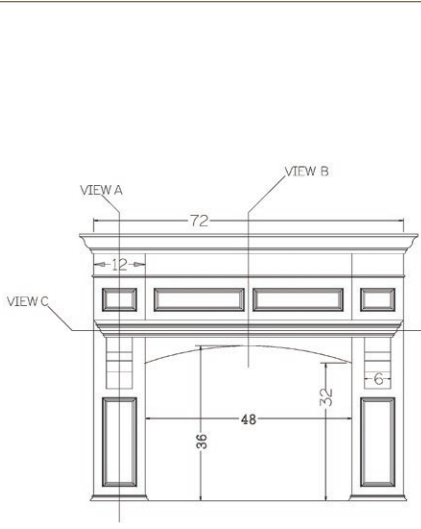
VIEW B



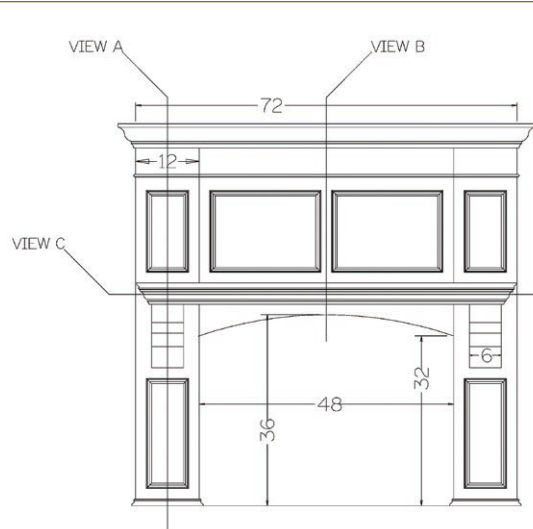
VIEW C

Hoods

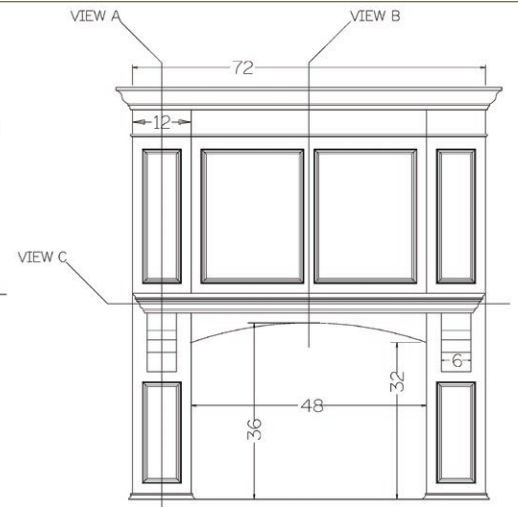
HTB



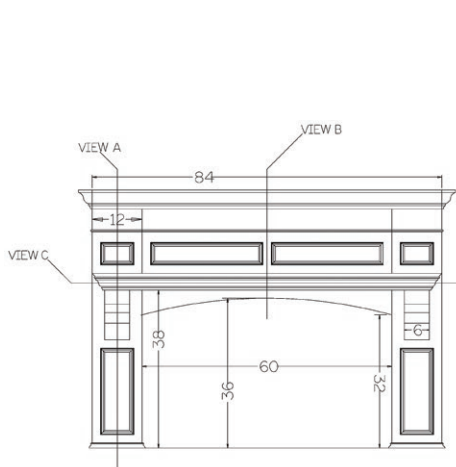
HTB 36-8



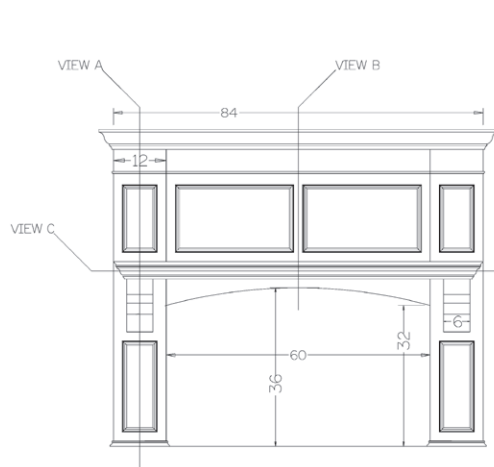
HTB 36-9



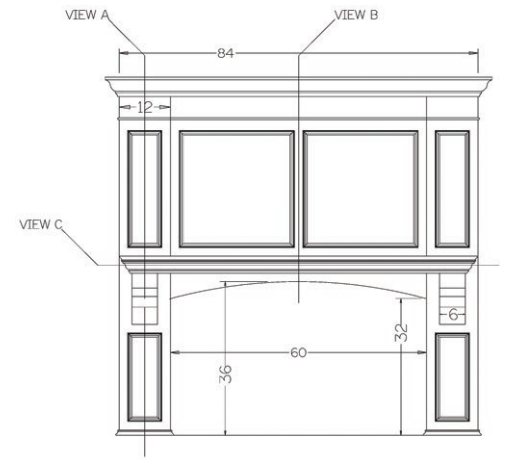
HTB 36-10



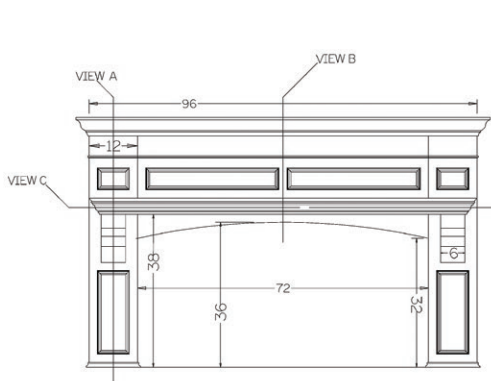
HTB 48-8



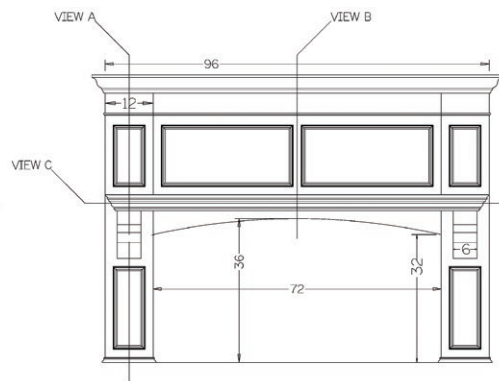
HTB 48-9



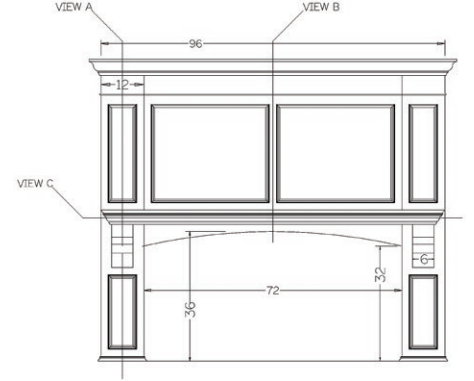
HTB 48-10



HTB 60-8



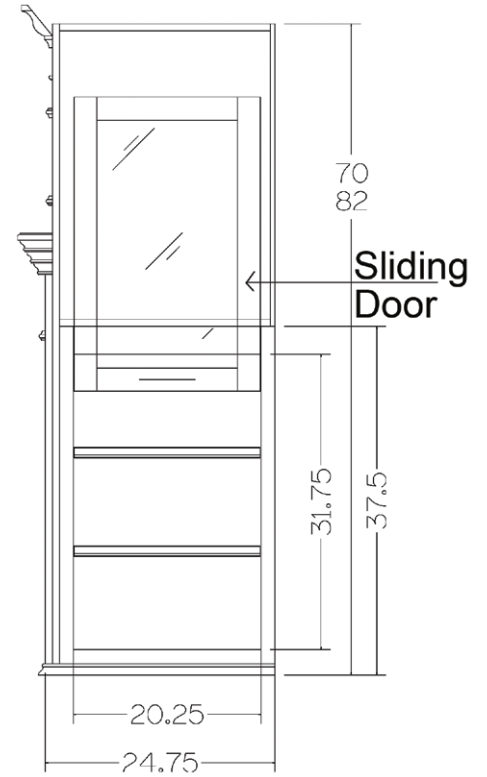
HTB 60-9



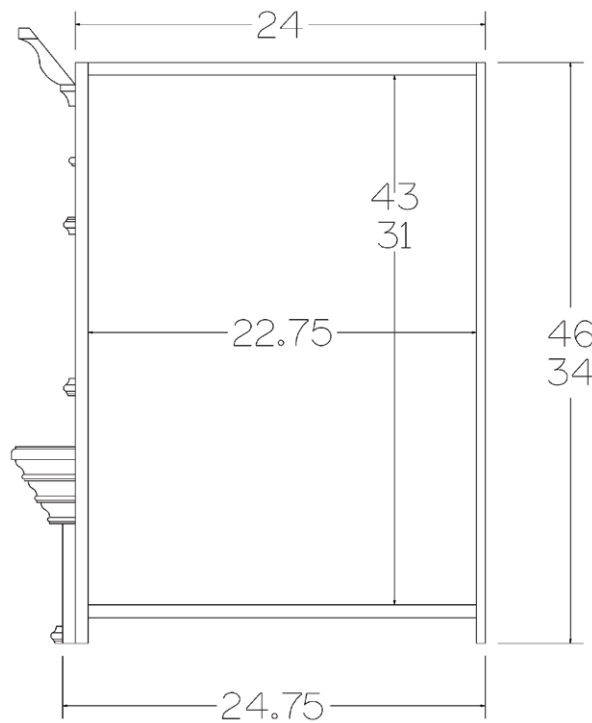
HTB 60-10

Hoods

HTP



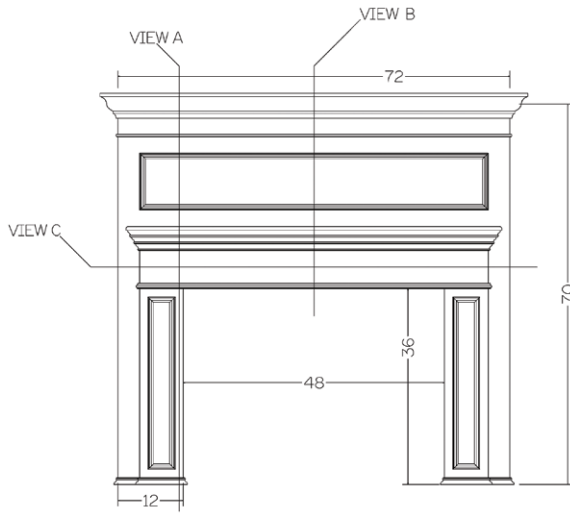
VIEW A



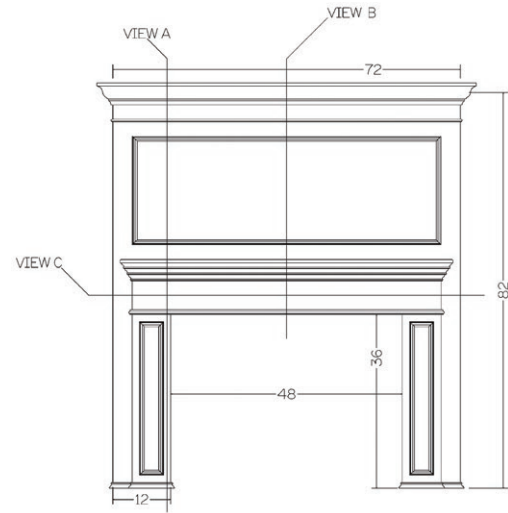
VIEW B

Hoods

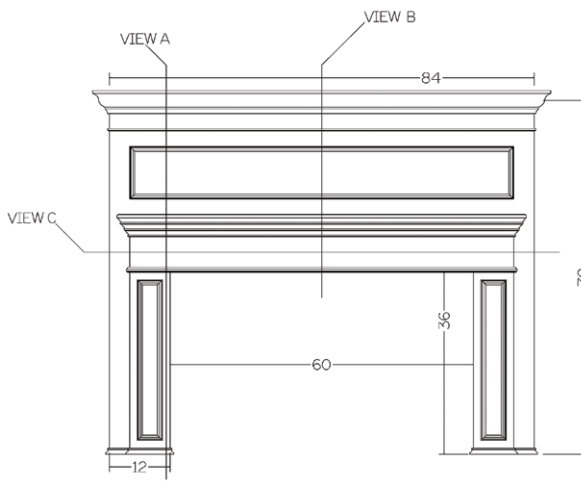
HTP



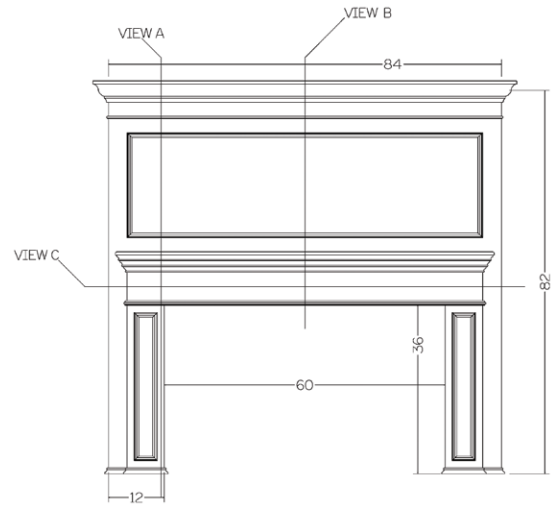
HTP 36-9



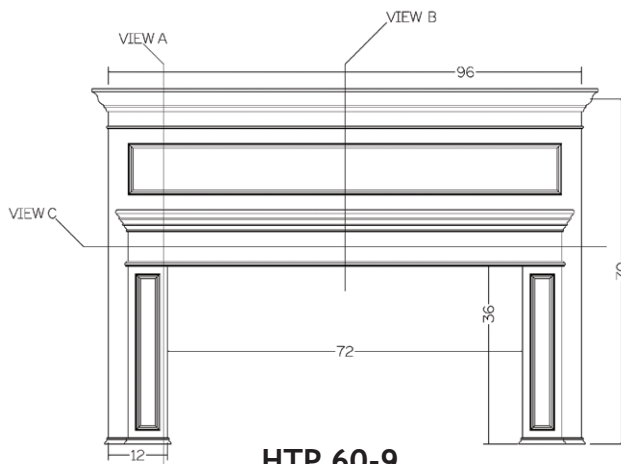
HTP 36-10



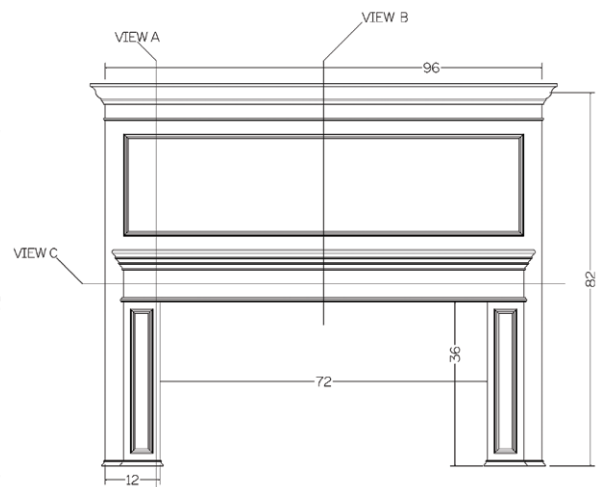
HTP 48-9



HTP 48-10



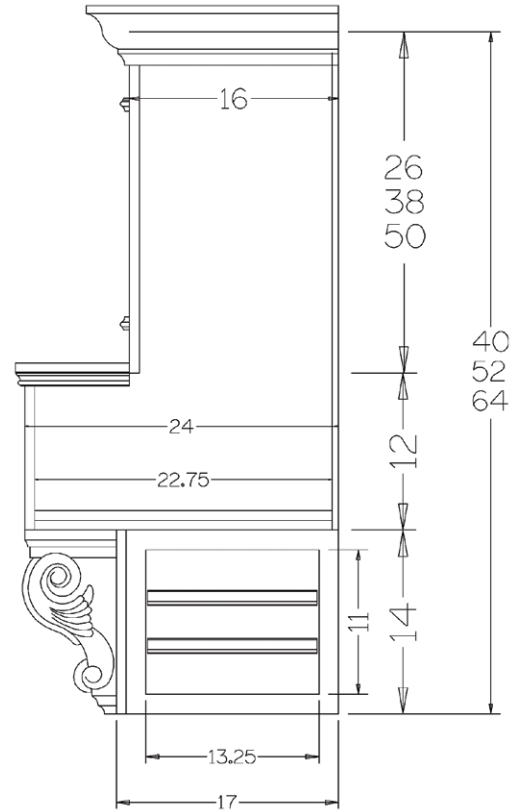
HTP 60-9



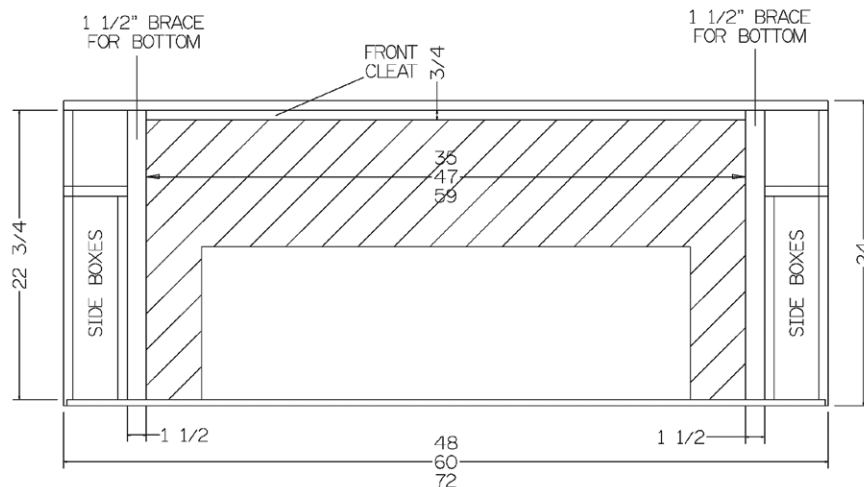
HTP 60-10

Hoods

HSK



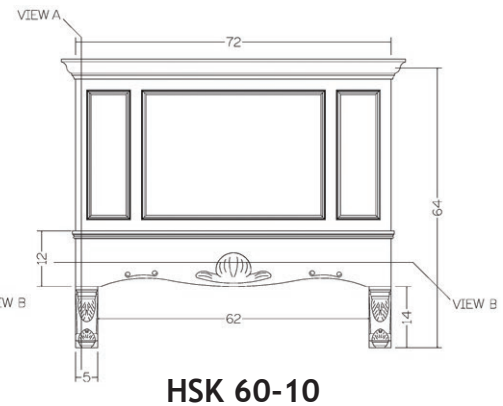
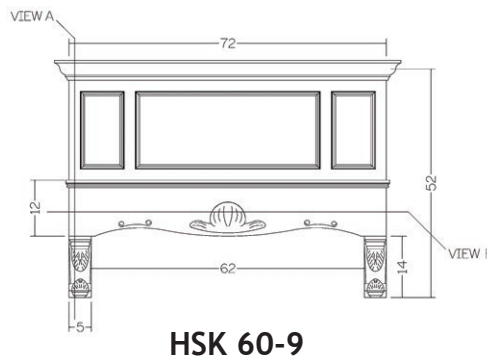
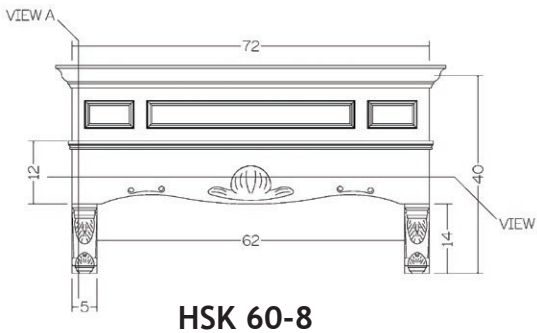
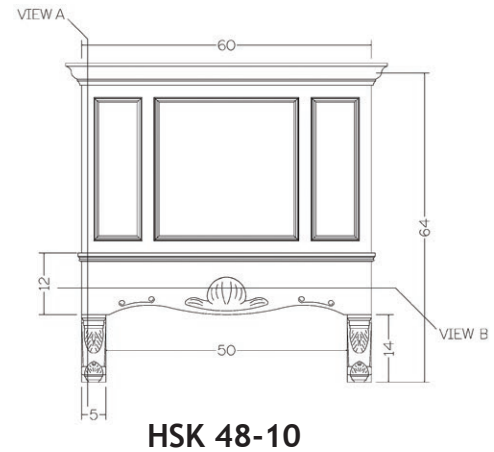
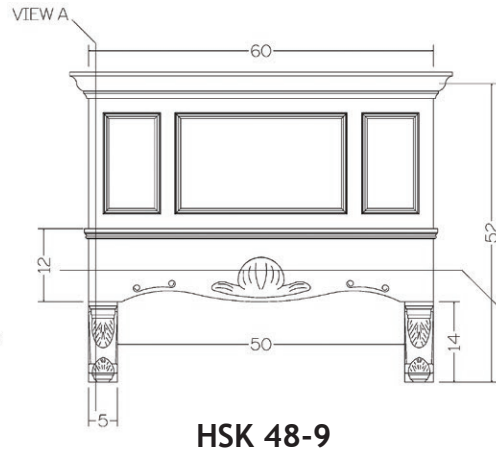
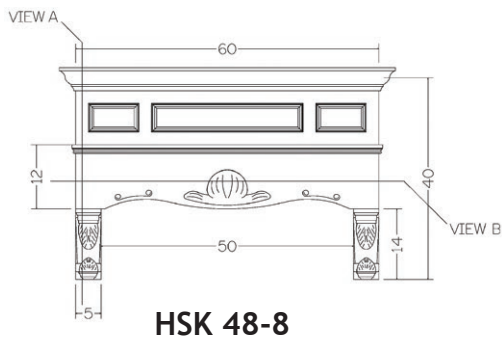
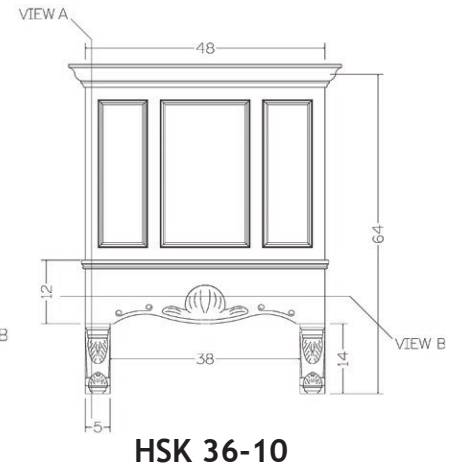
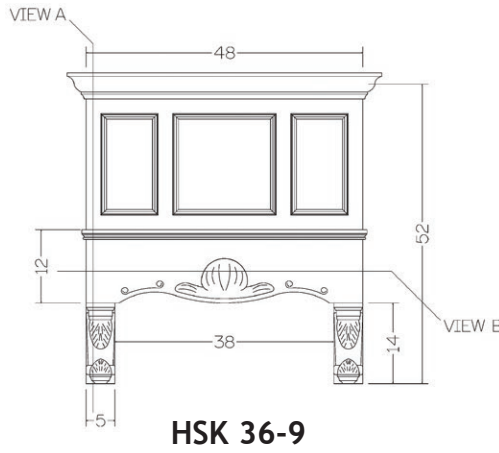
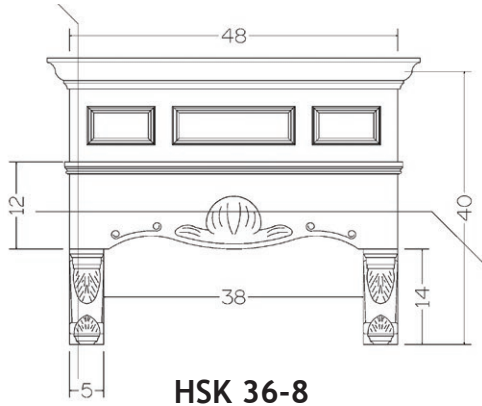
VIEW A



VIEW B

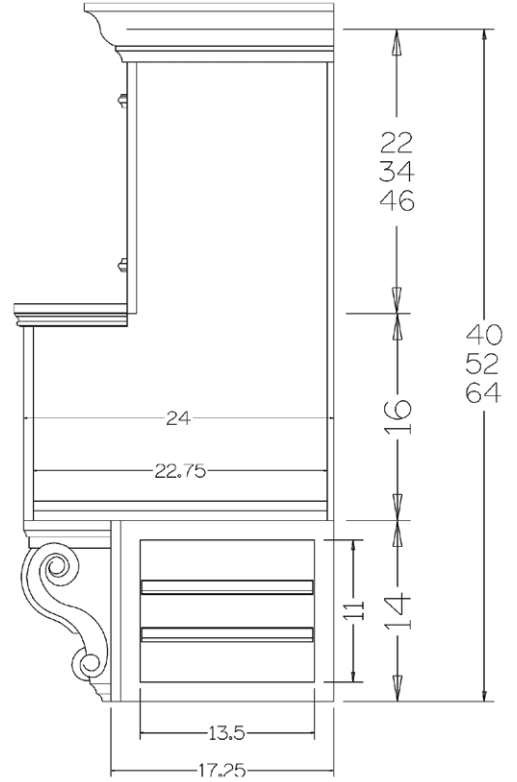
Hoods

HSK

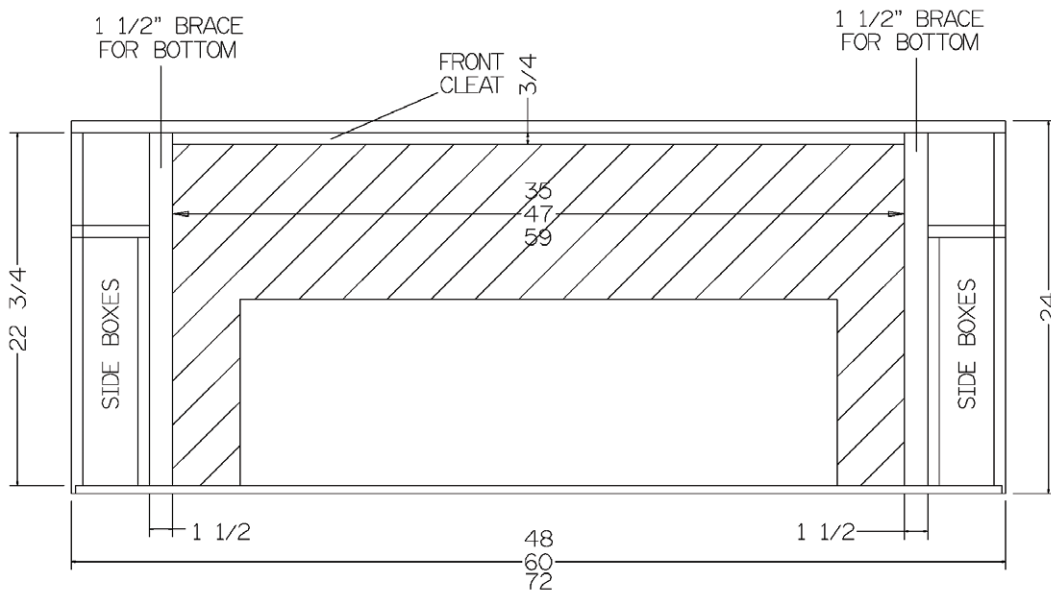


Hoods

HSH



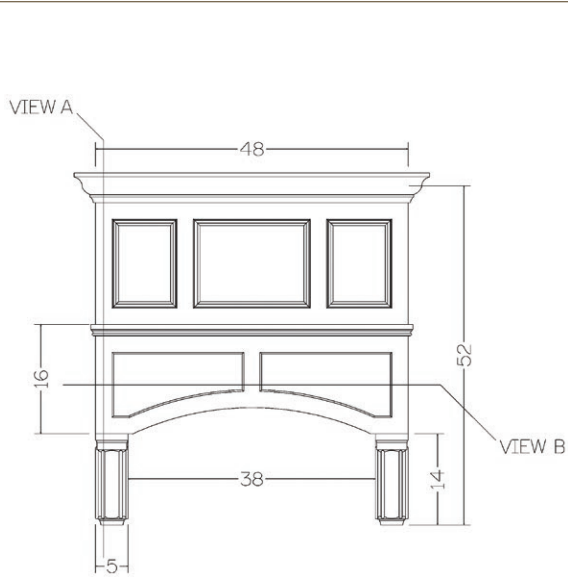
VIEW A



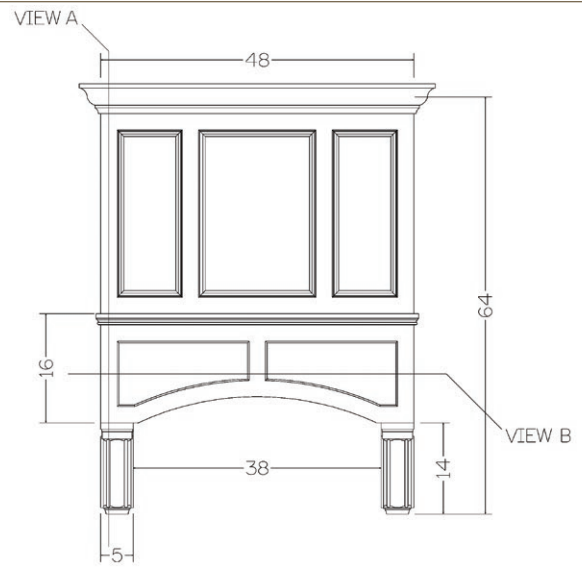
VIEW B

Hoods

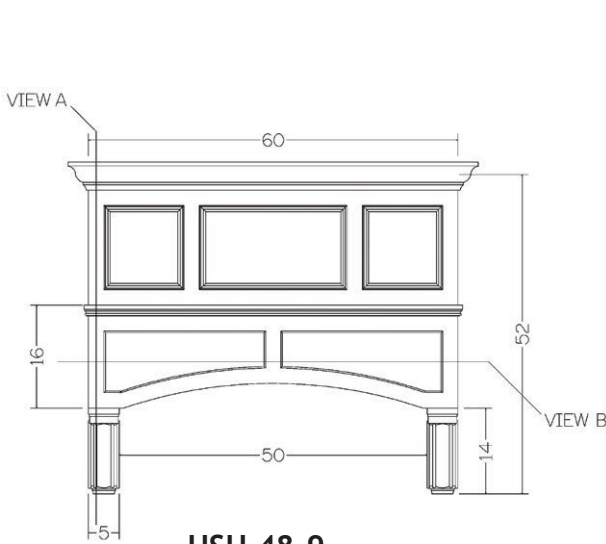
HSH



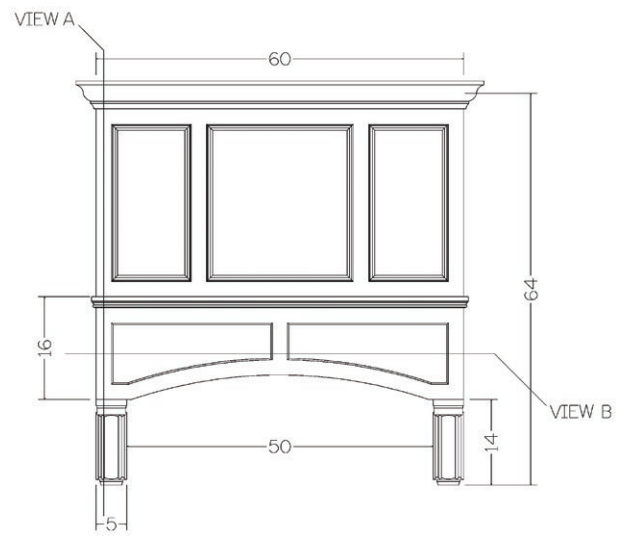
HSH 36-9



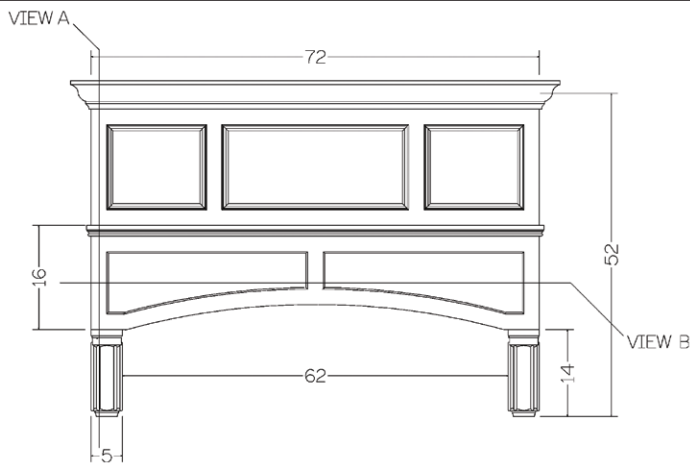
HSH 36-10



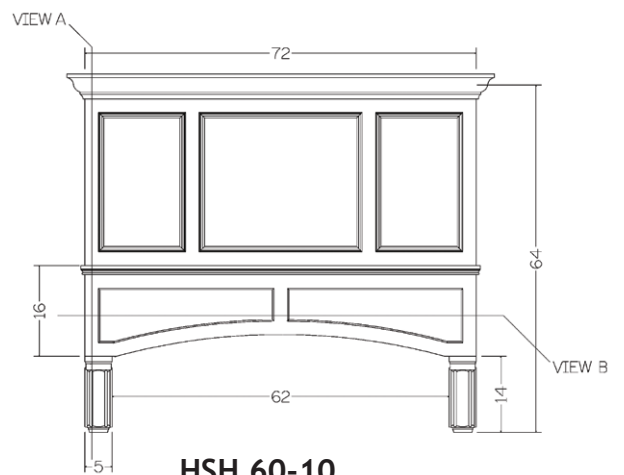
HSH 48-9



HSH 48-10



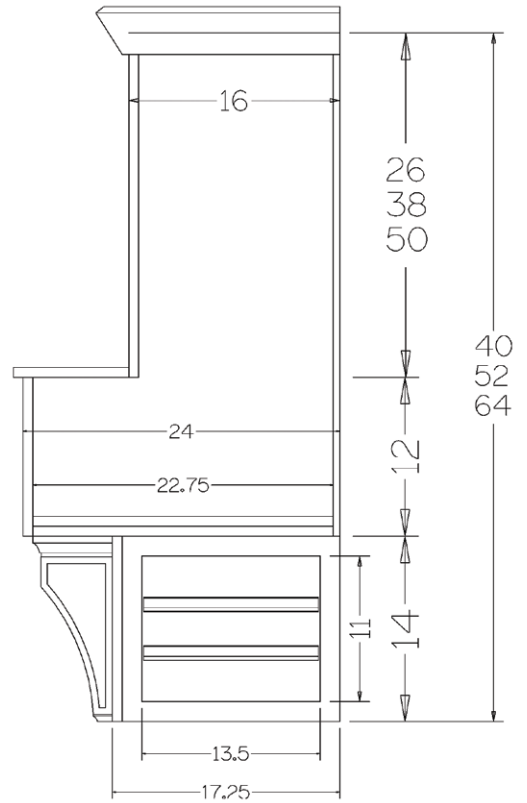
HSH 60-9



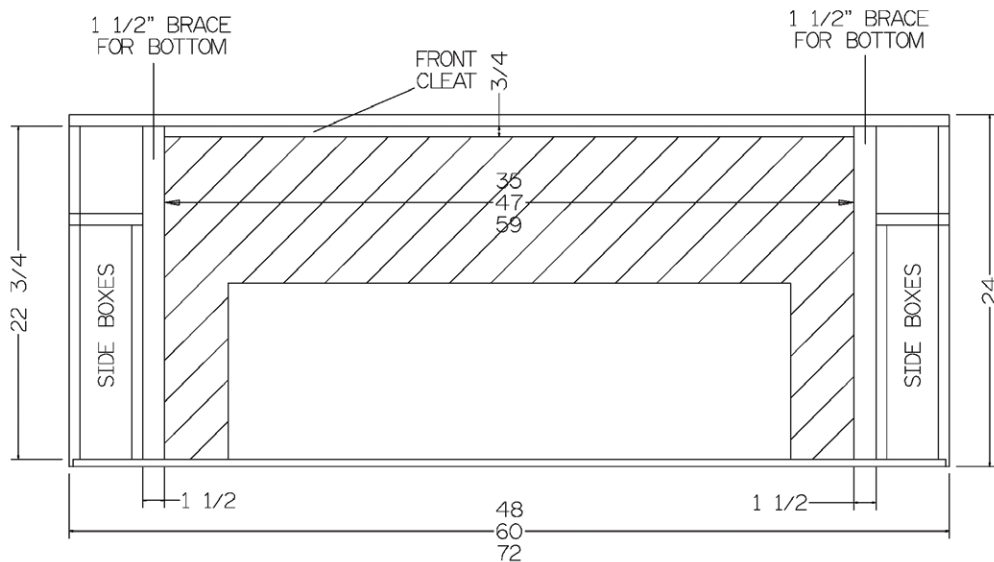
HSH 60-10

Hoods

HSE



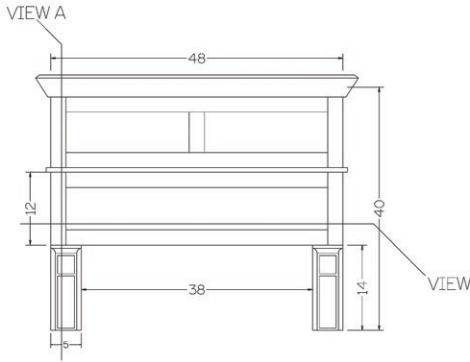
VIEW A



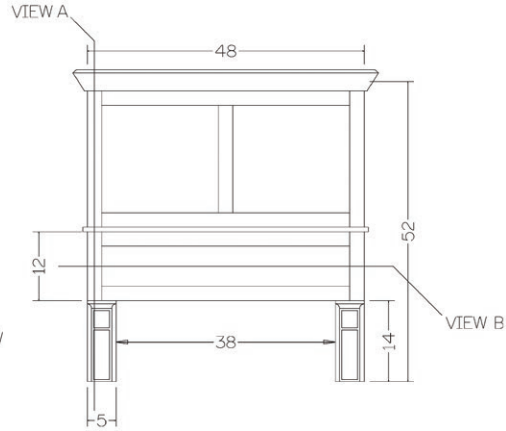
VIEW B

Hoods

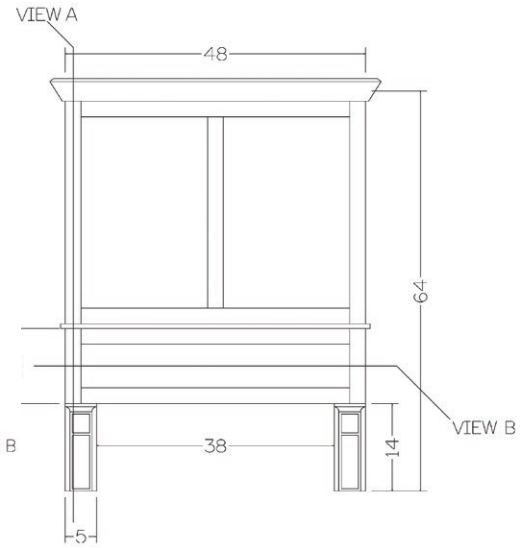
HSE



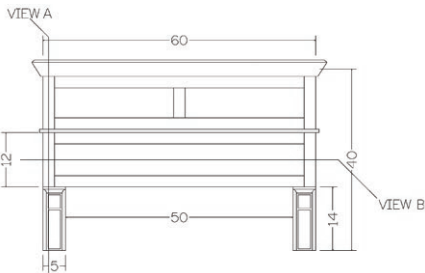
HSE 36-8



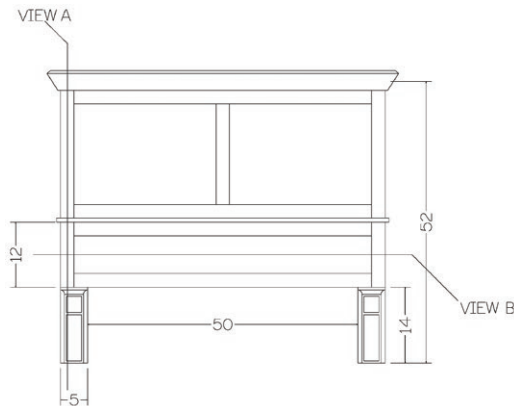
HSE 36-9



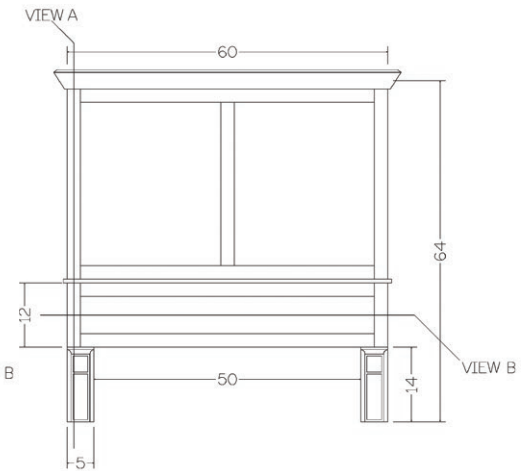
HSE 36-10



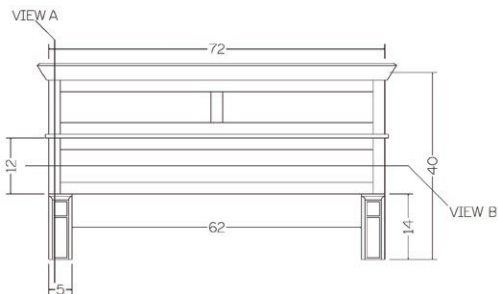
HSE 48-8



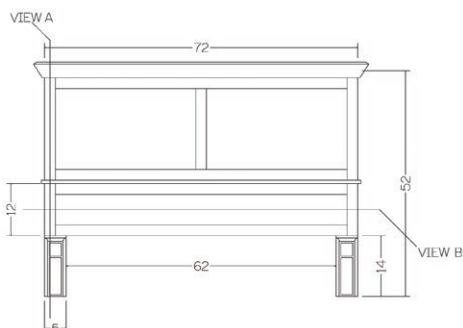
HSE 48-9



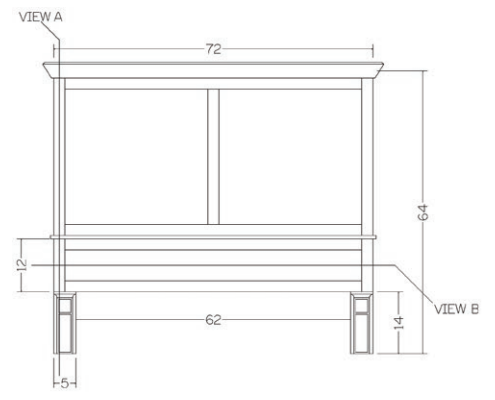
HSE 48-10



HSE 60-8



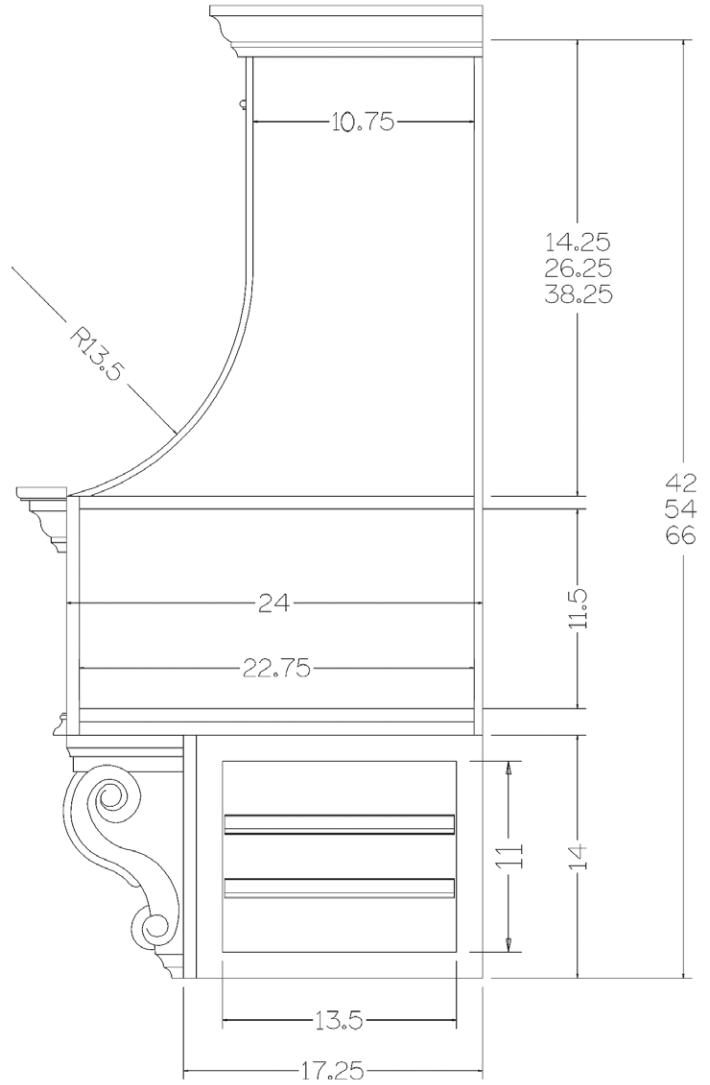
HSE 60-9



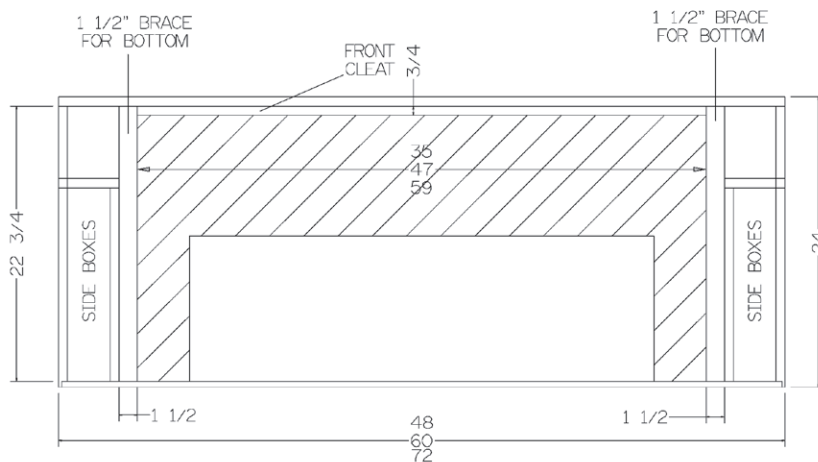
HSE 60-10

Hoods

HSG



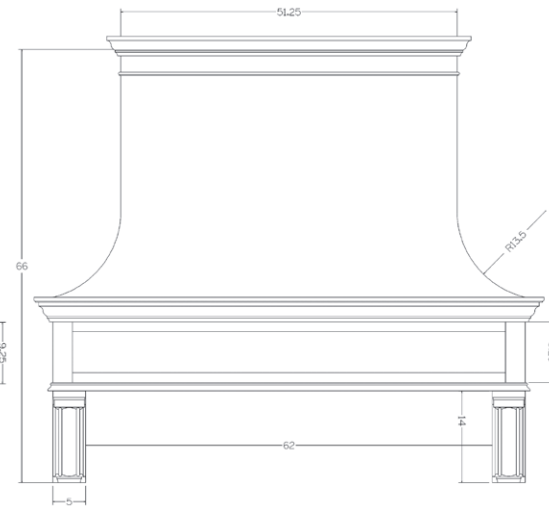
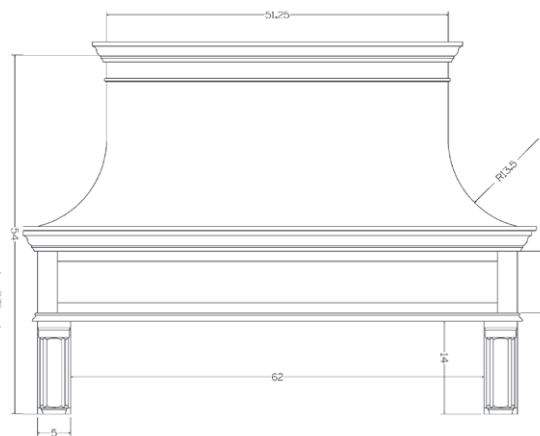
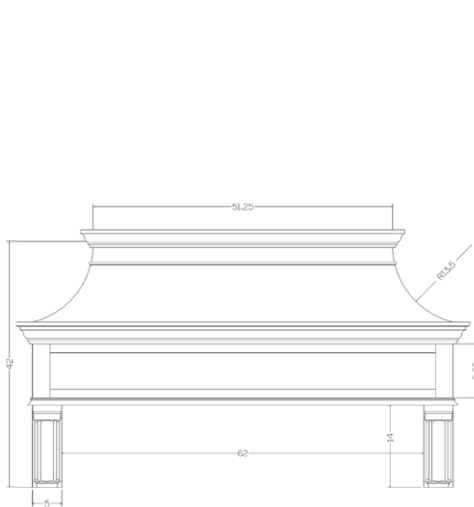
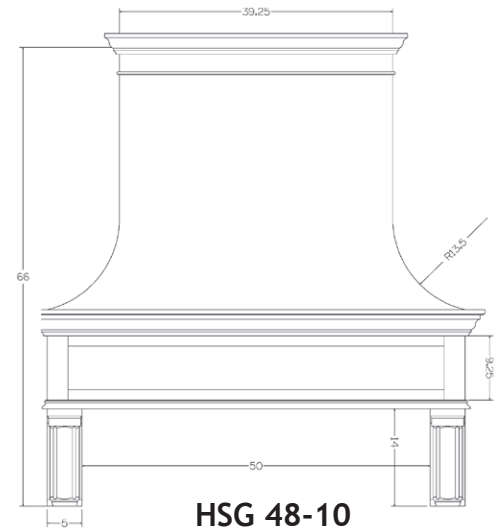
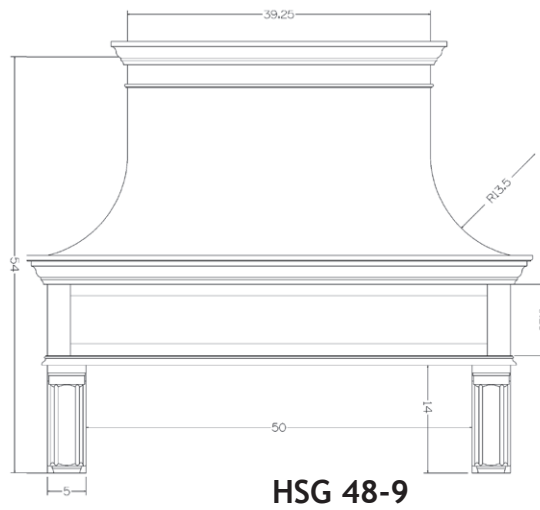
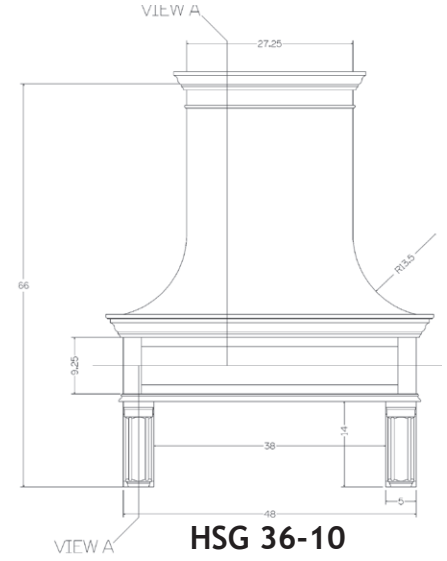
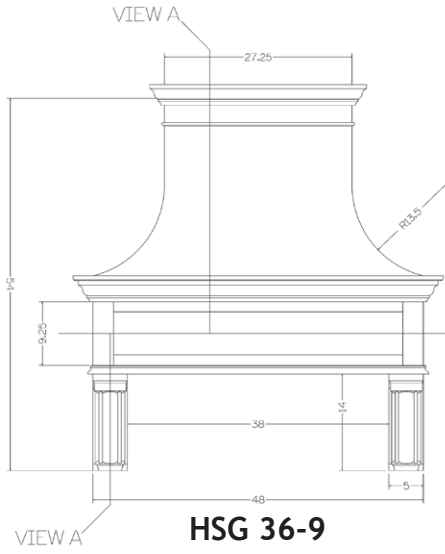
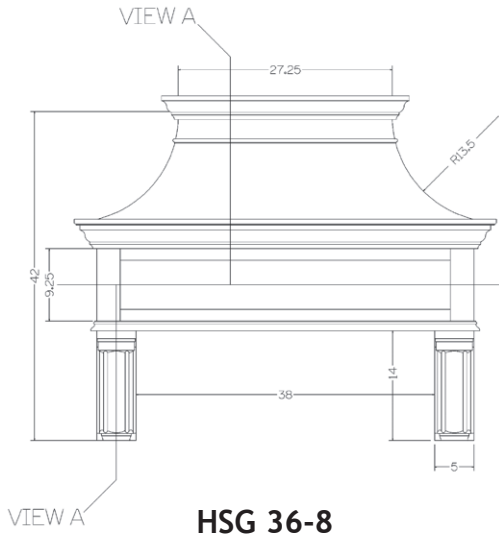
VIEW A



VIEW B

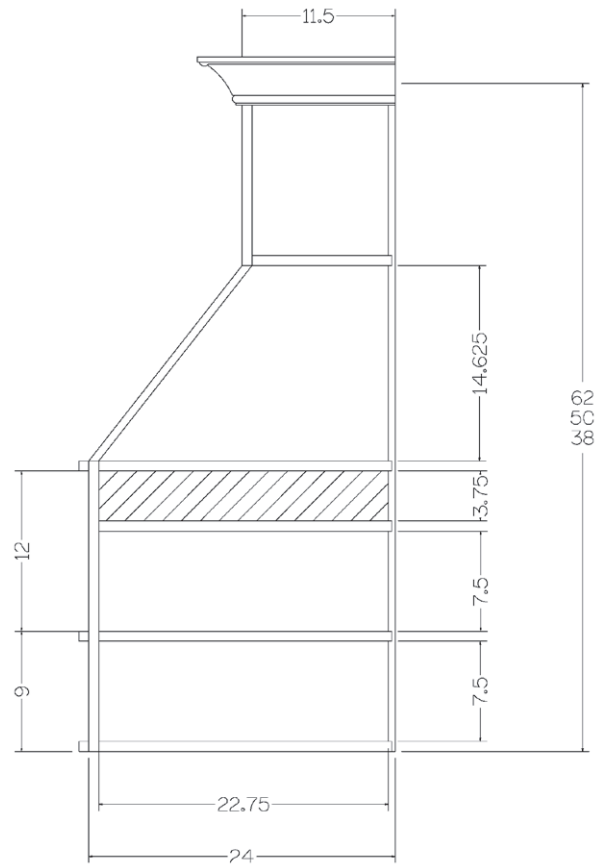
Hoods

HSG

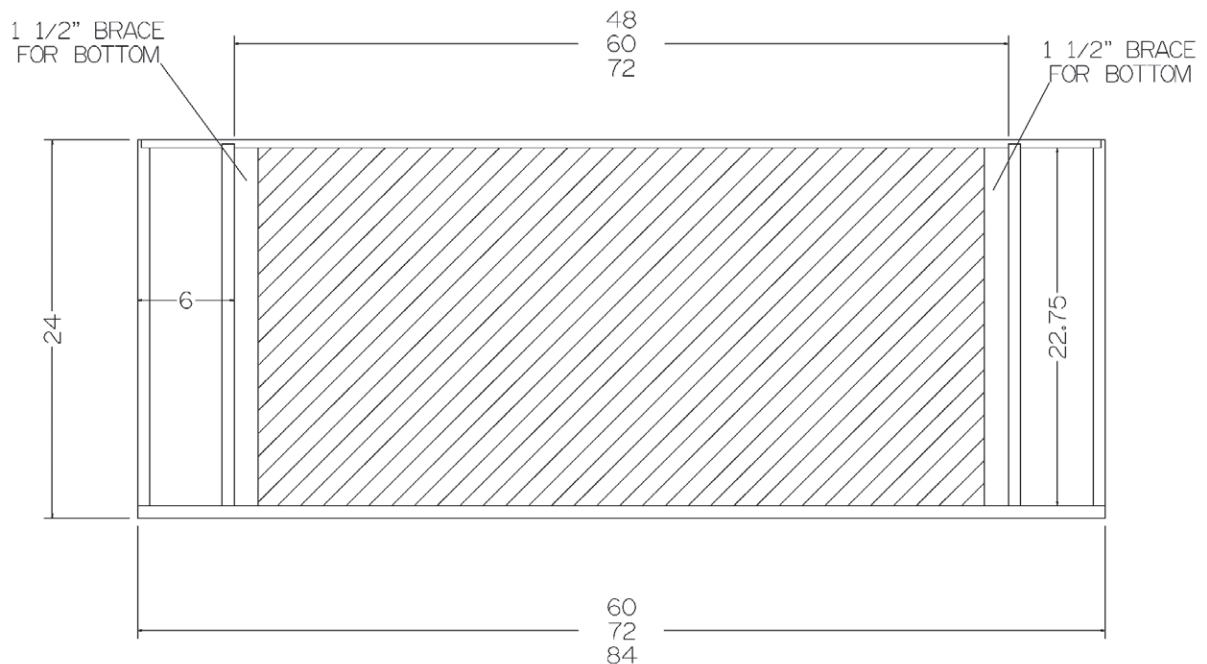


Hoods

HSL



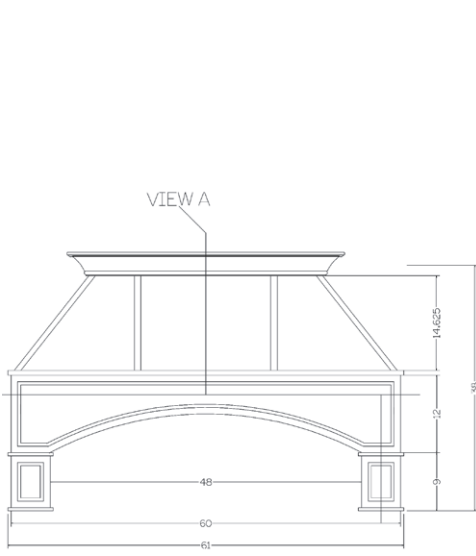
VIEW A



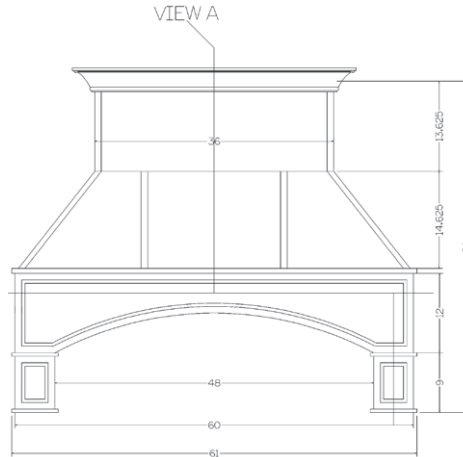
VIEW B

Hoods

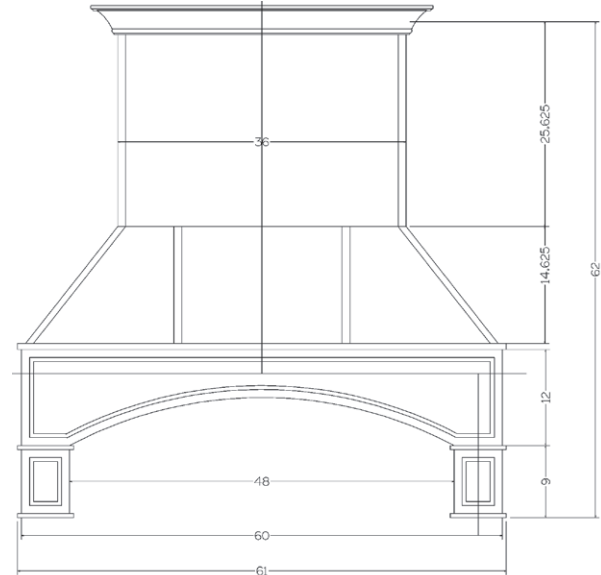
HSL



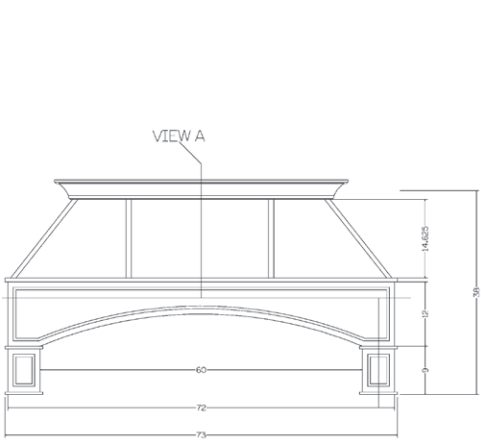
HSL 36-8



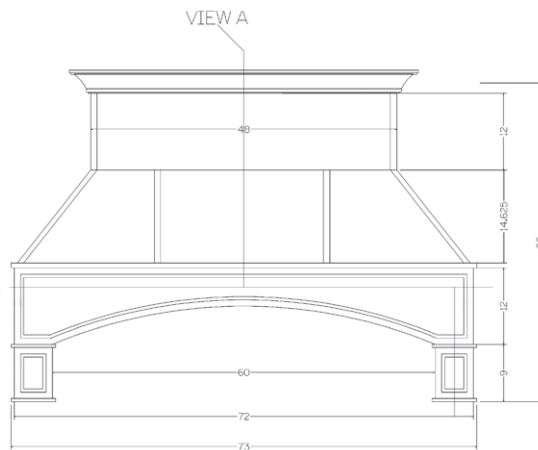
HSL 36-9



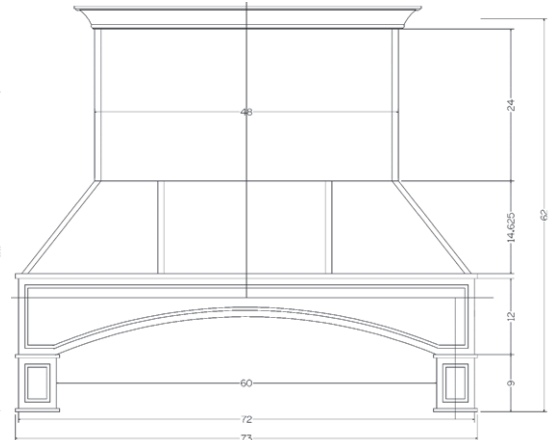
HSL 36-10



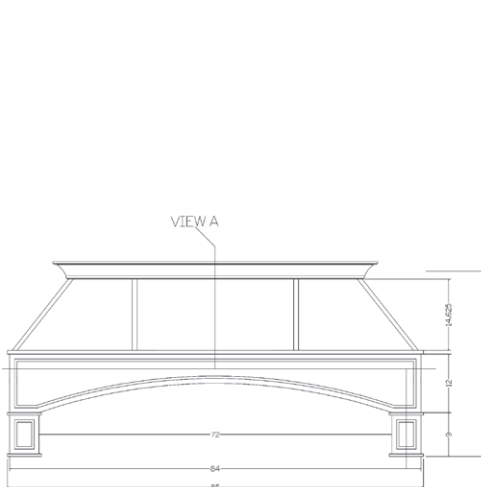
HSL 48-8



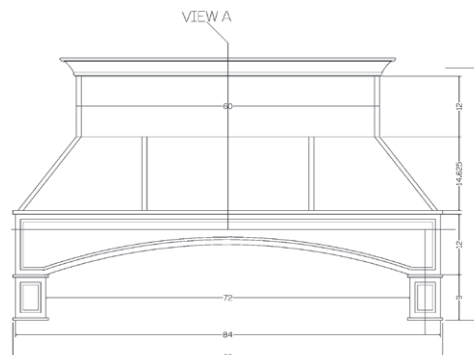
HSL 48-9



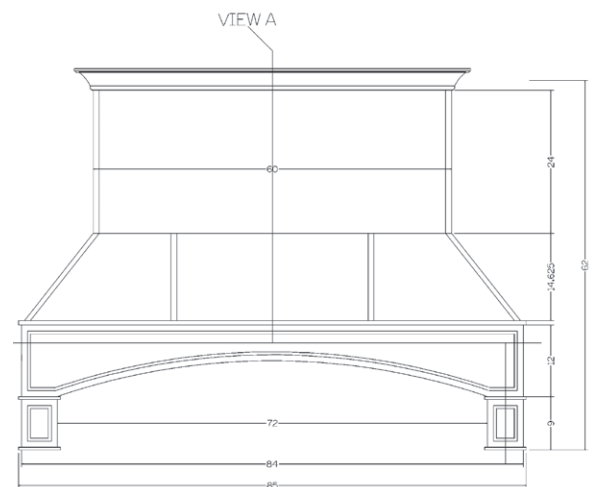
HSL 48-10



HSL 60-8



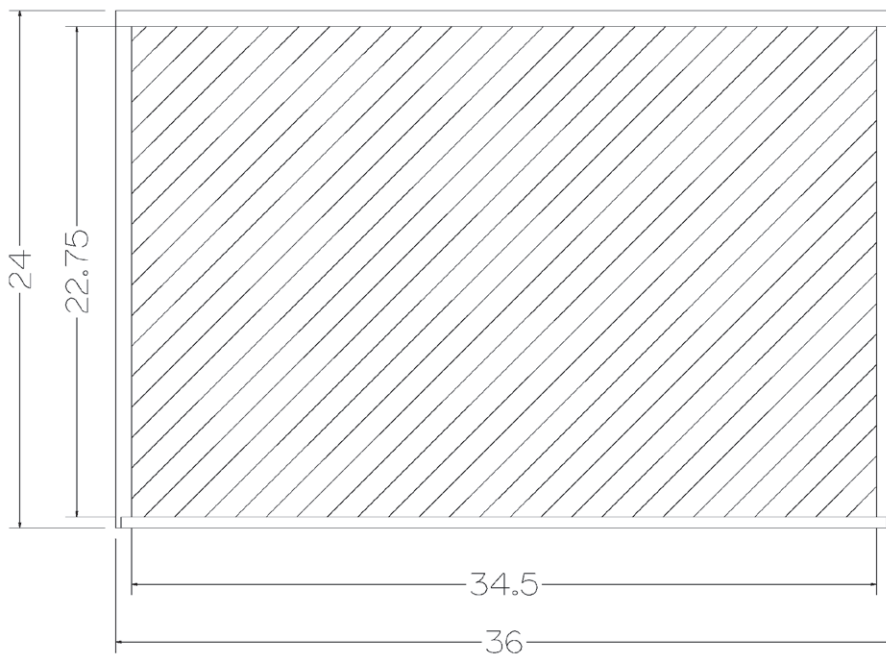
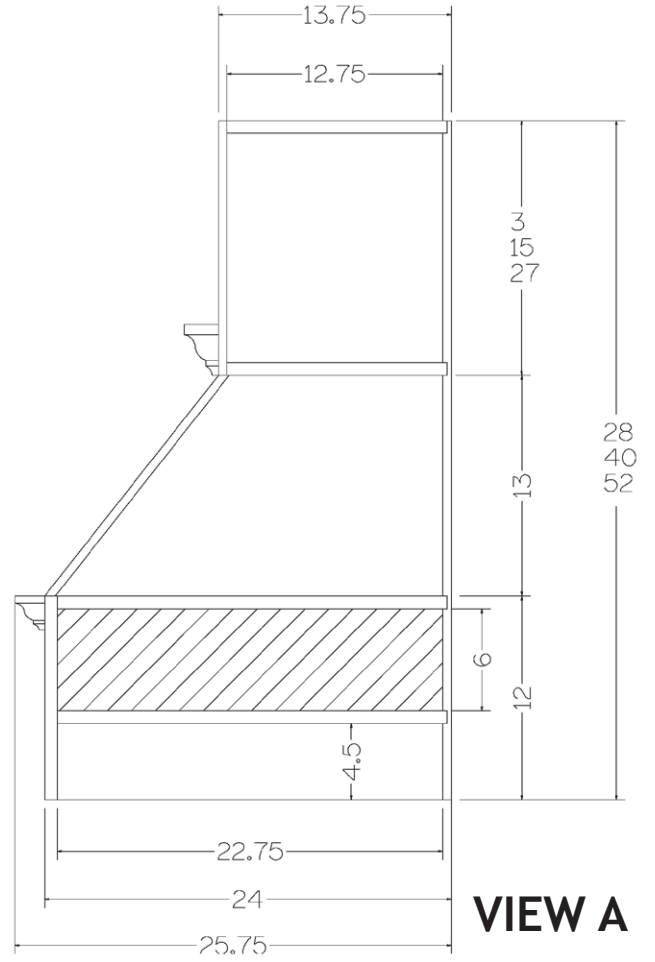
HSL 60-9



HSL 60-10

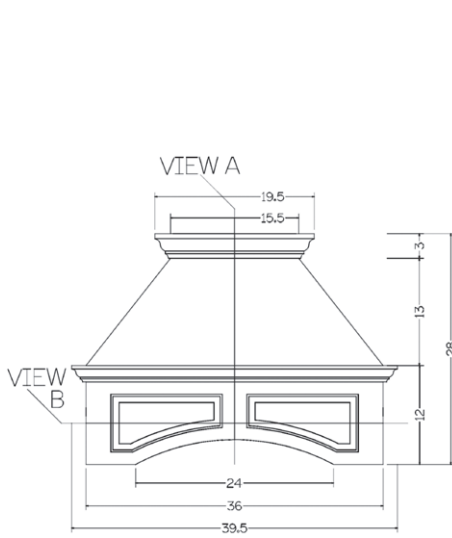
Hoods

HWS

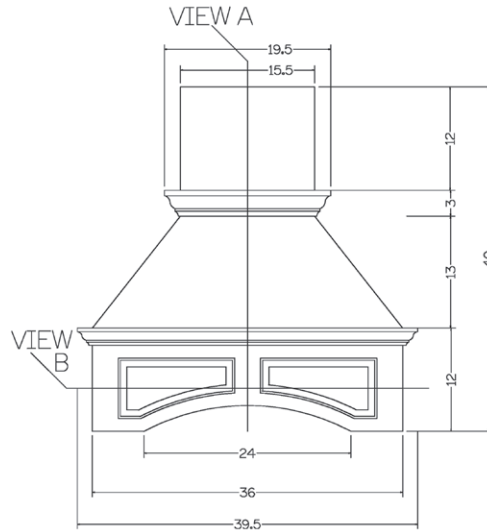


Hoods

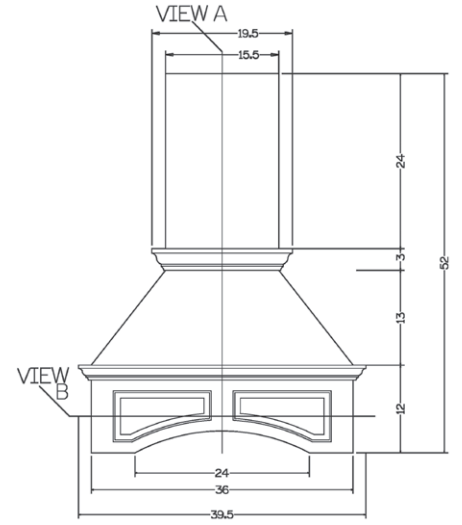
HWS



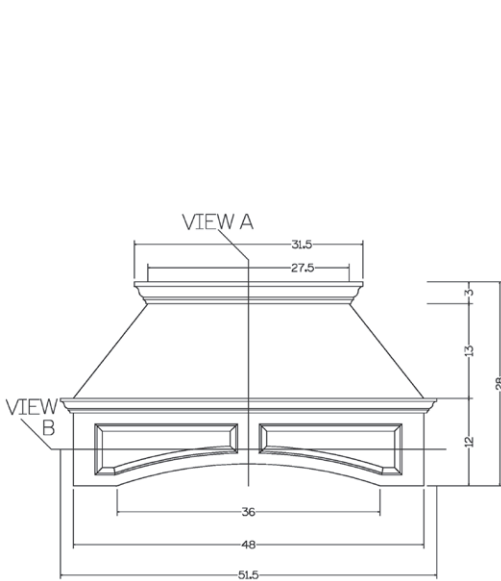
HWS 36-8



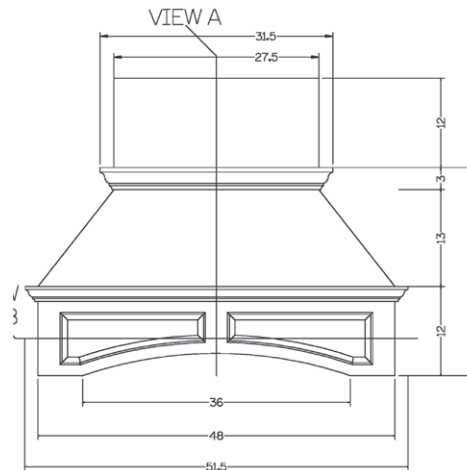
HWS 36-9



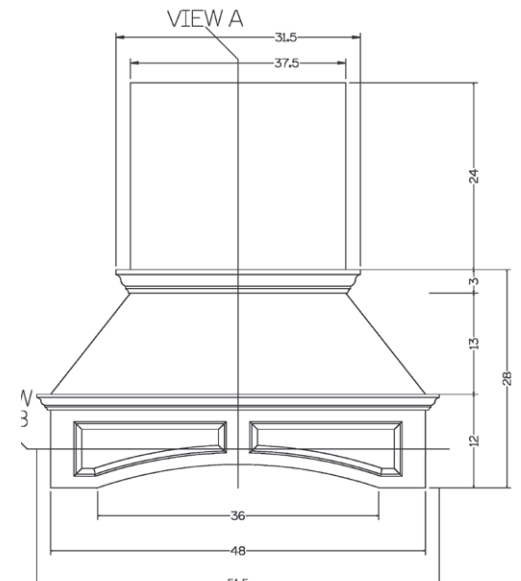
HWS 36-10



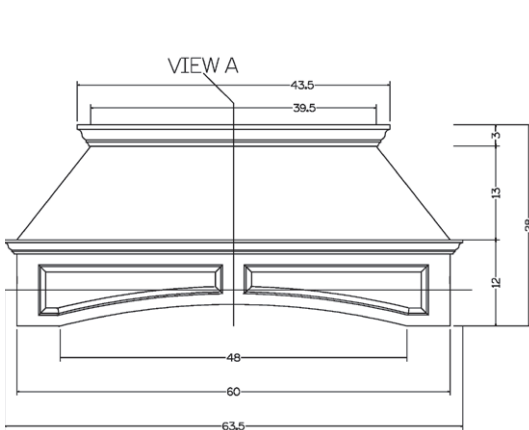
HWS 48-8



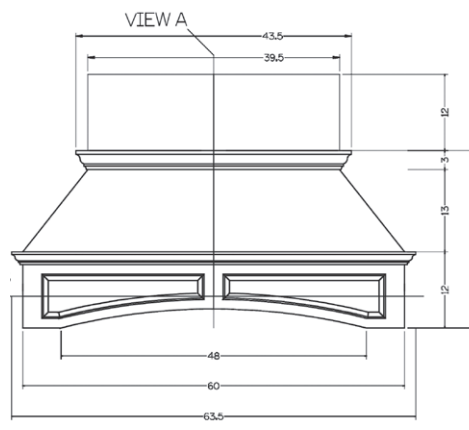
HWS 48-9



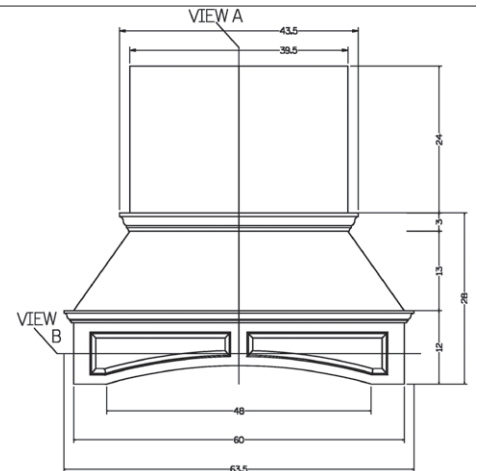
HWS 48-10



HWS 60-8



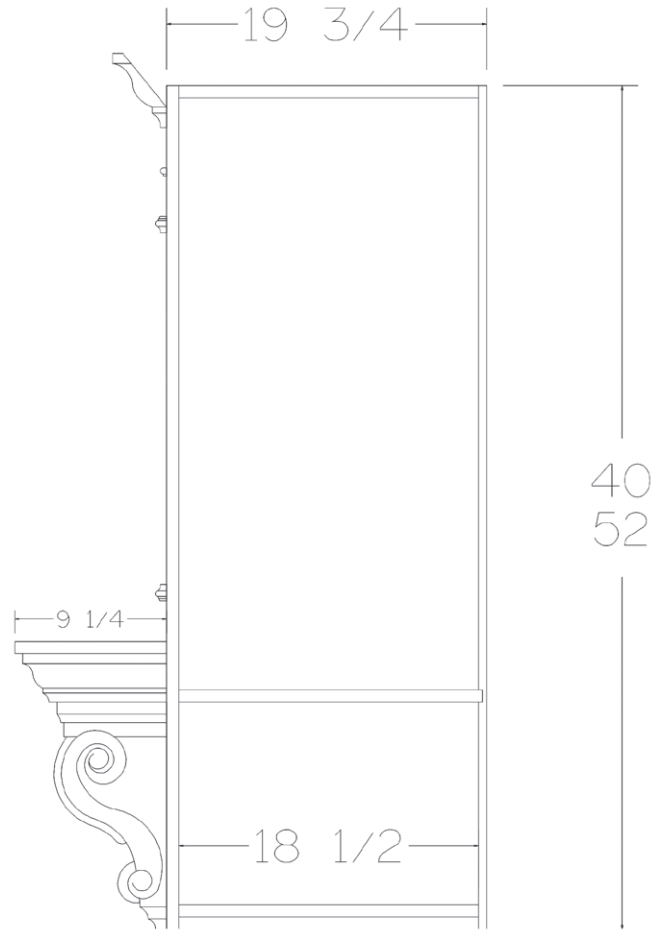
HWS 60-9



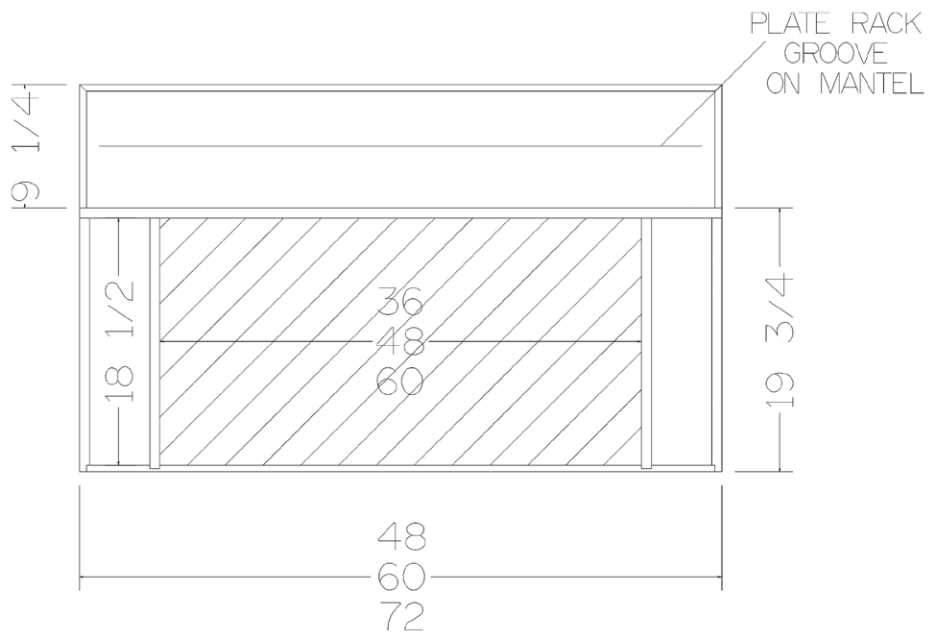
HWS 60-10

Hoods

HWR



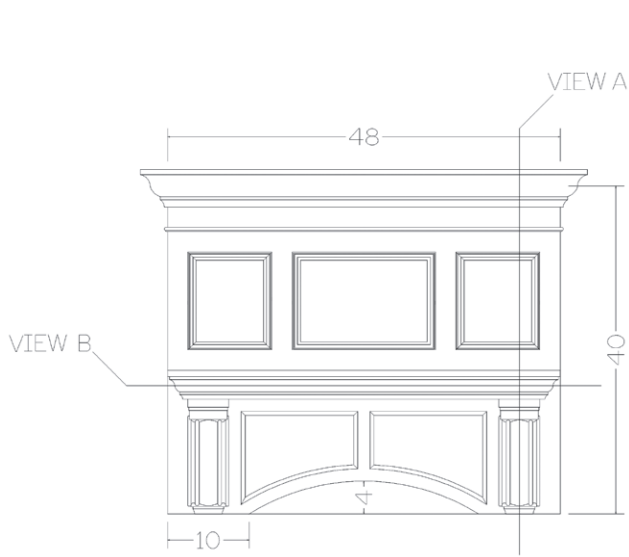
VIEW A



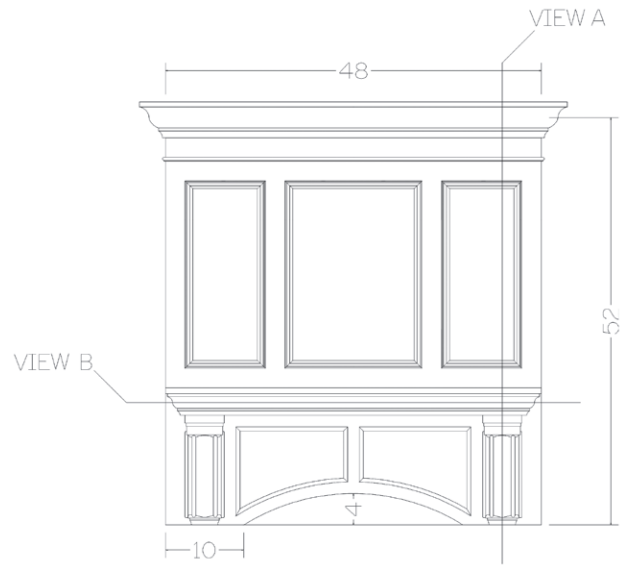
VIEW B

Hoods

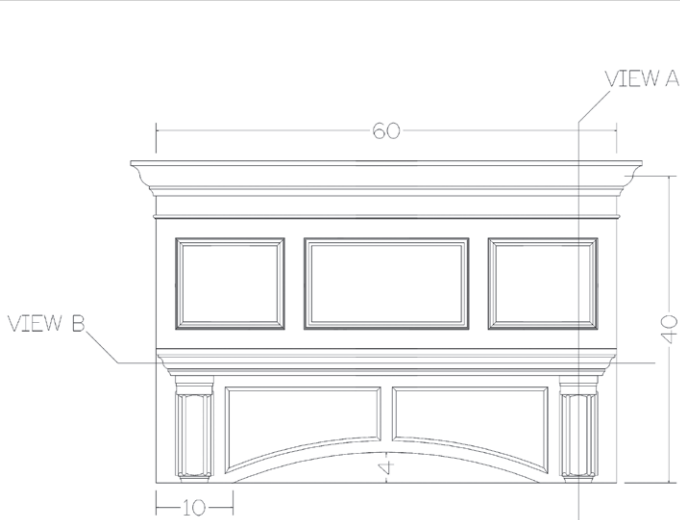
HWR



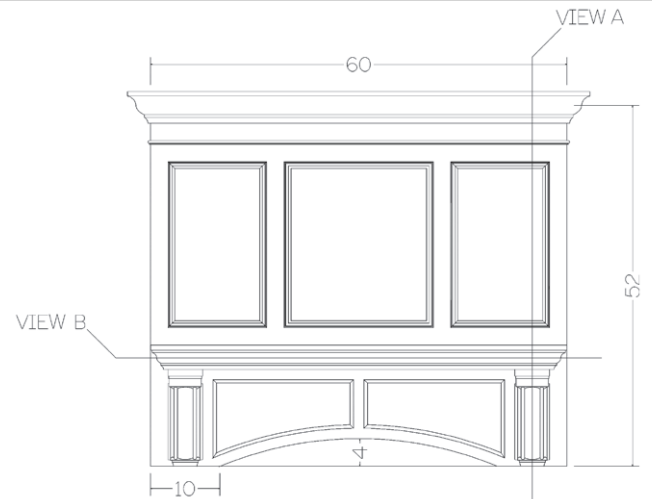
HWR 36-9



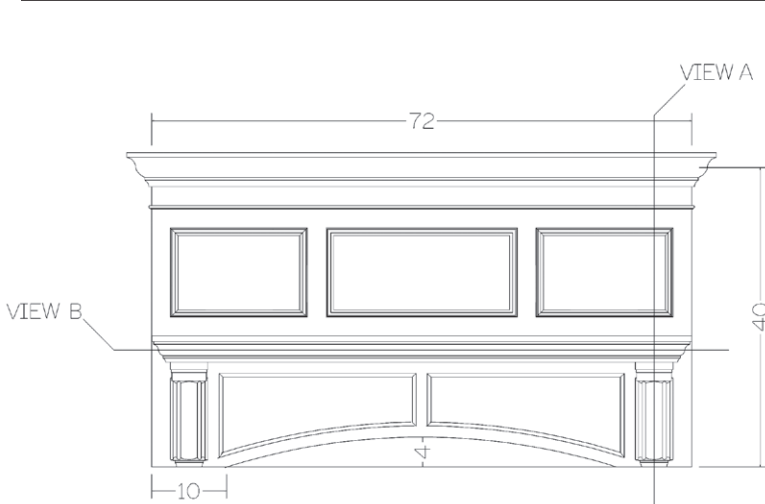
HWR 36-10



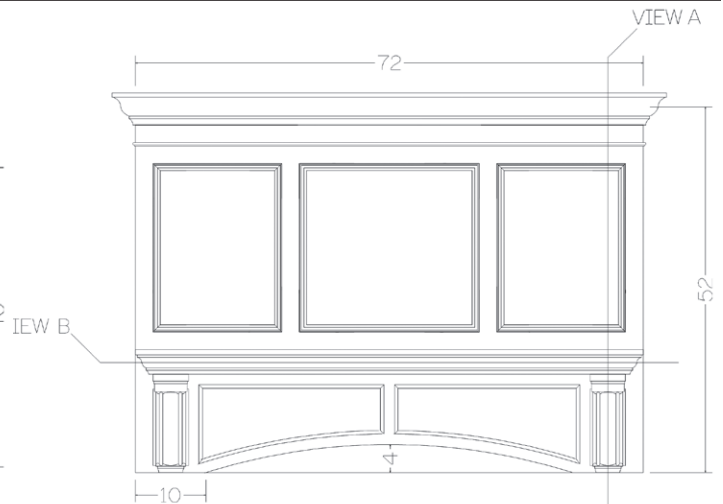
HWR 48-9



HWR 48-10



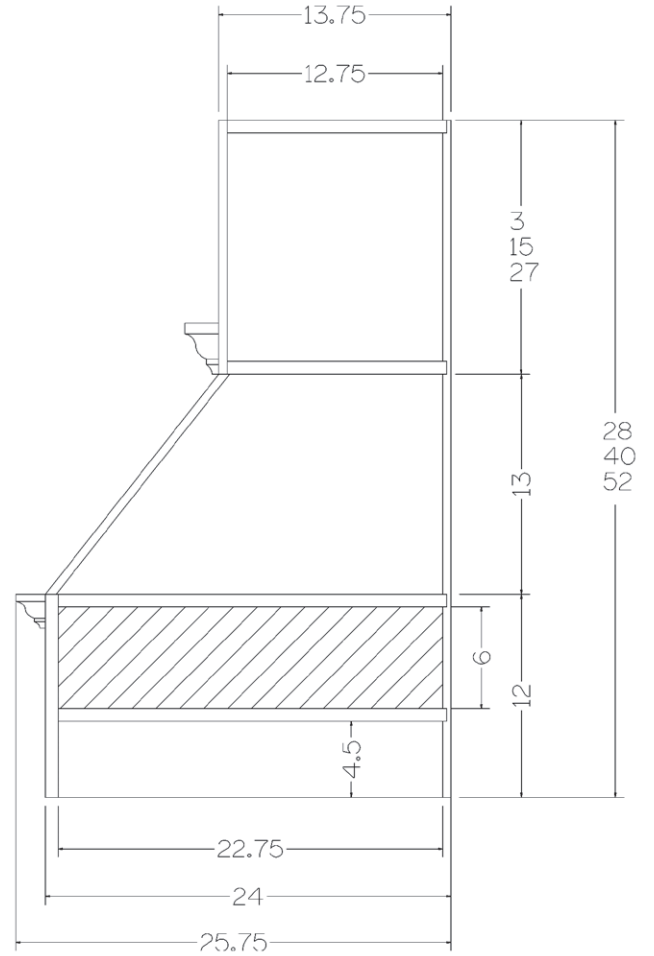
HWR 60-9



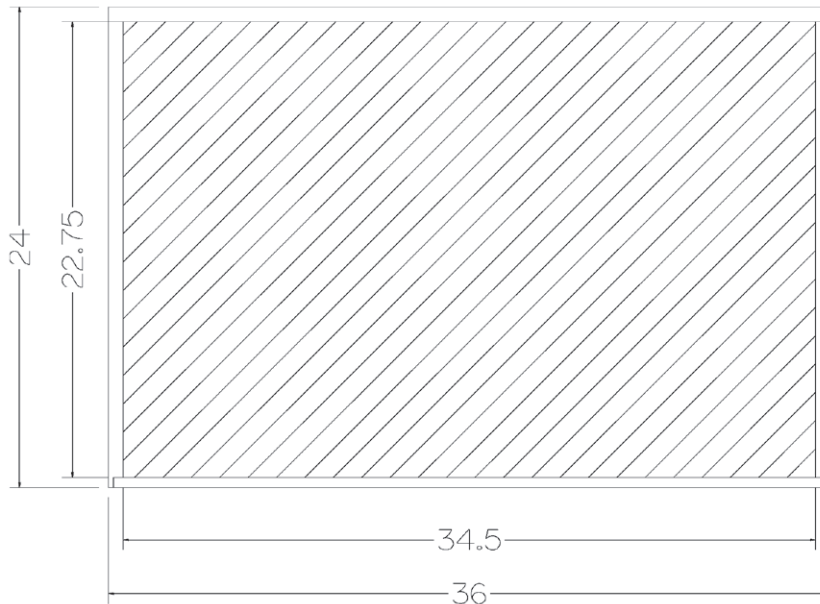
HWR 60-10

Hoods

HWT



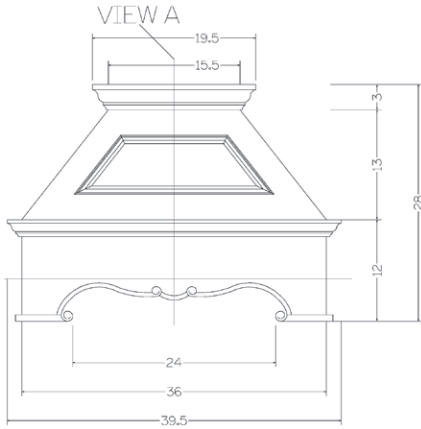
VIEW A



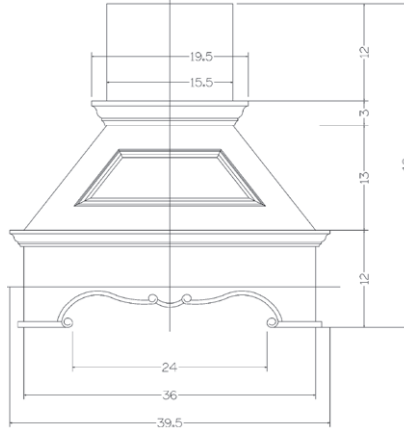
VIEW B

Hoods

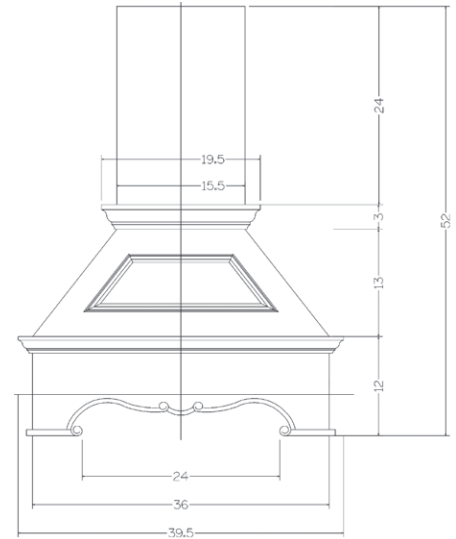
HWT



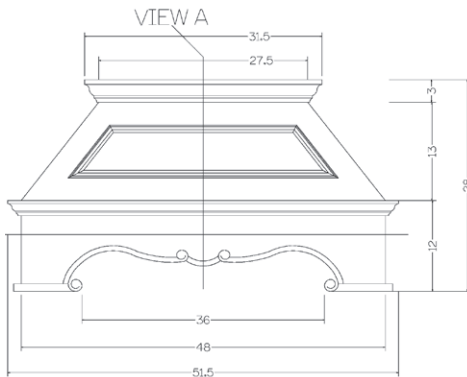
HWT 36-8



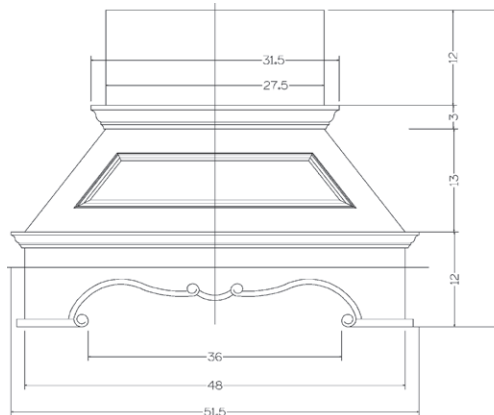
HWT 36-9



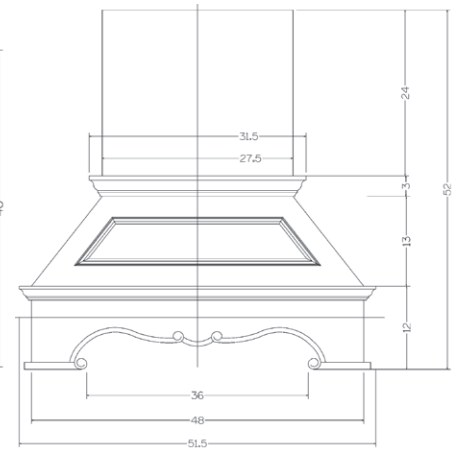
HWT 36-10



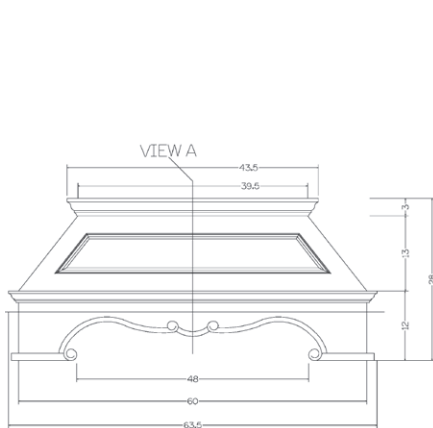
HWT 48-8



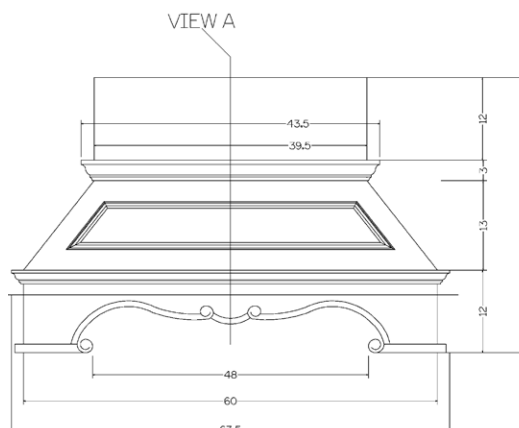
HWT 48-9



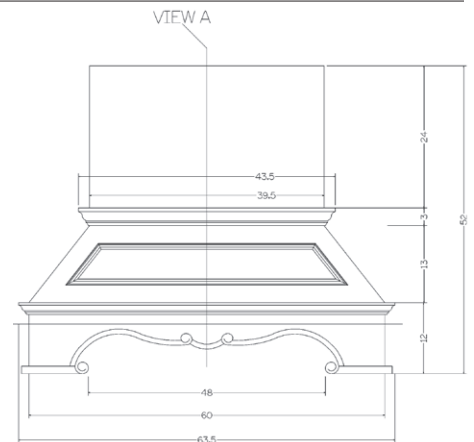
HWT 48-10



HWT 60-8



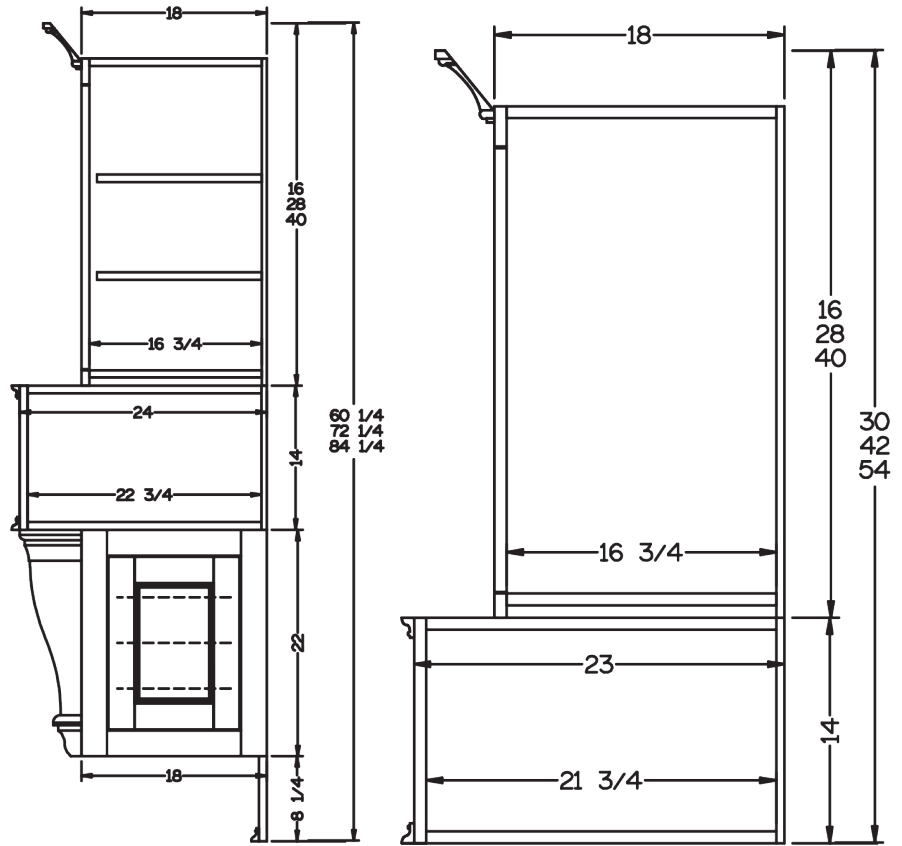
HWT 60-9



HWT 60-10

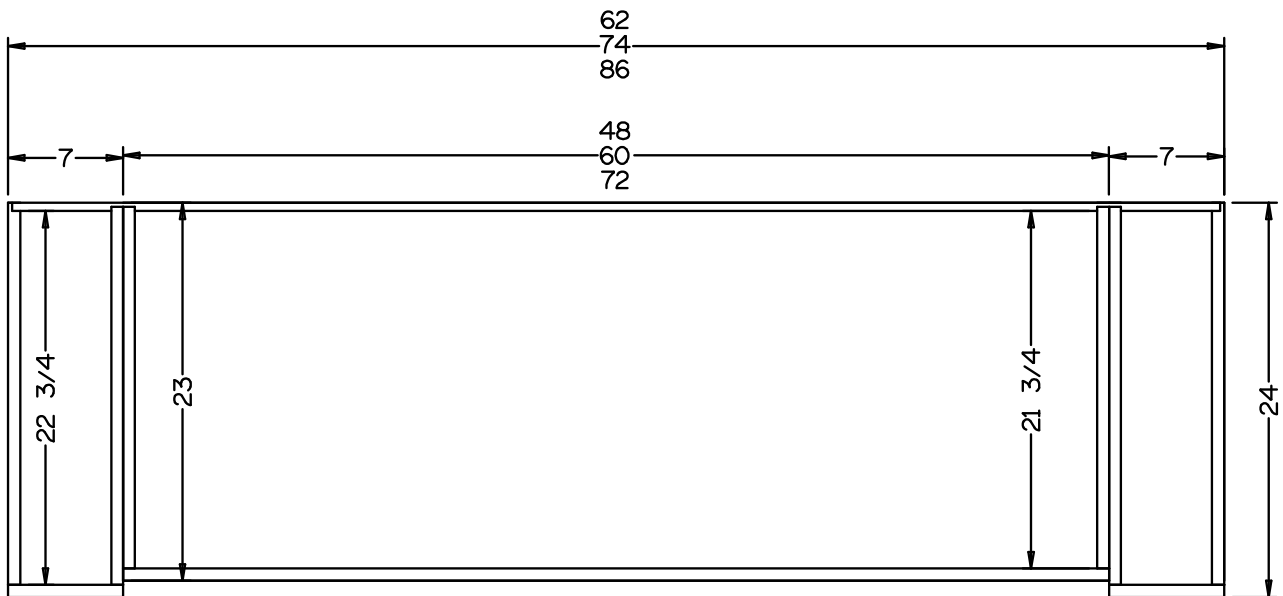
Hoods

HWU



VIEW A

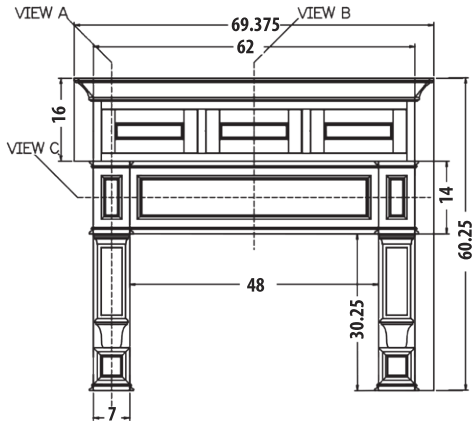
VIEW B



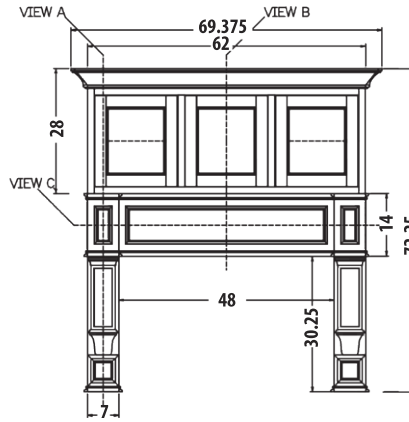
VIEW C

Hoods

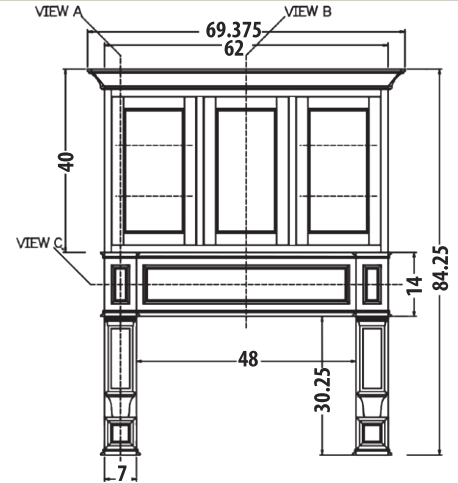
HWU



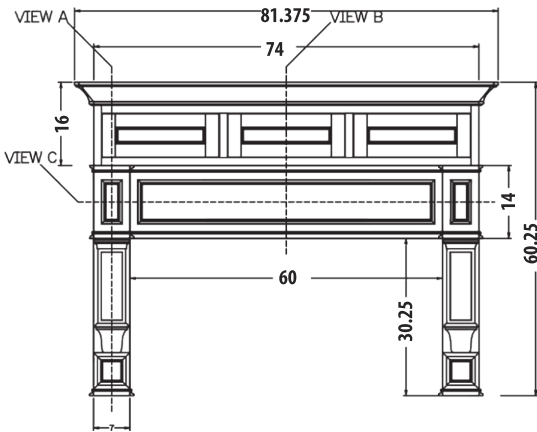
HWU 36-8



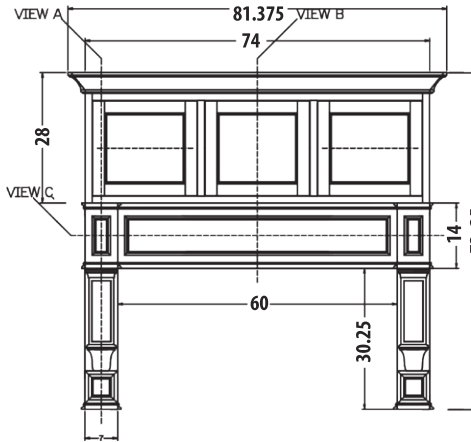
HWU 36-9



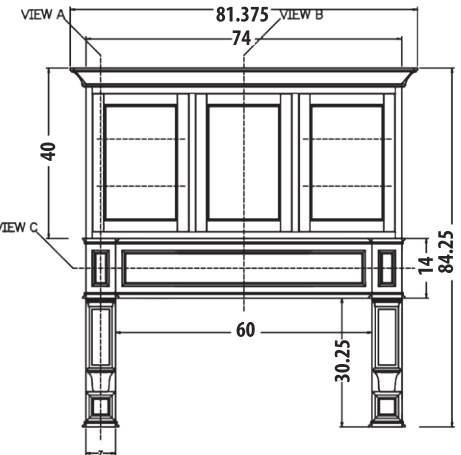
HWU 36-10



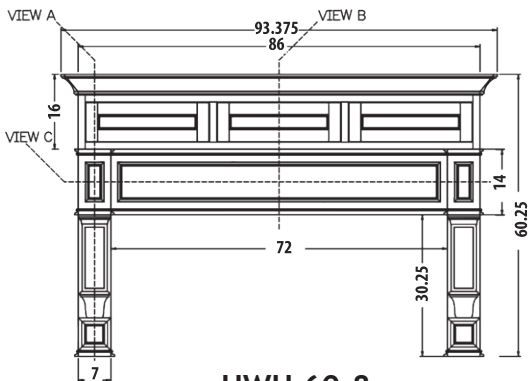
HWU 48-8



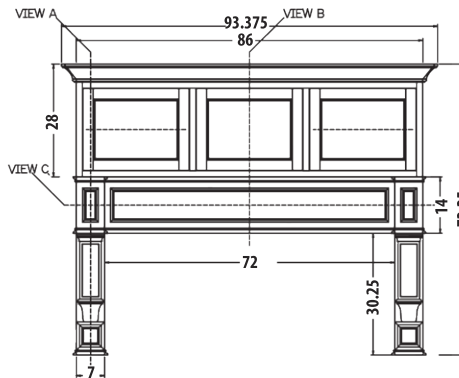
HWU 48-9



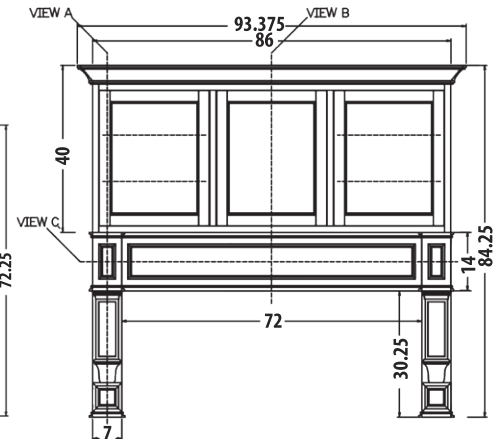
HWU 48-10



HWU 60-8



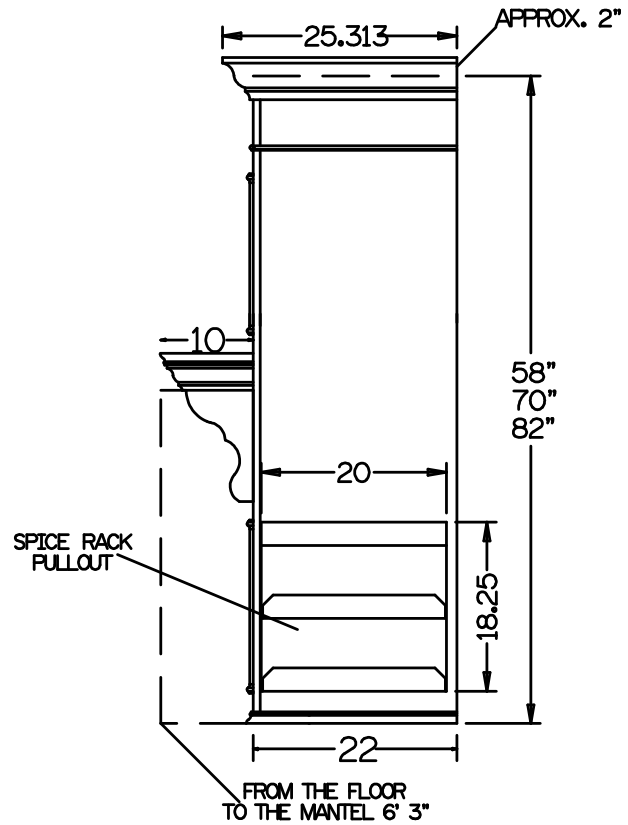
HWU 60-9



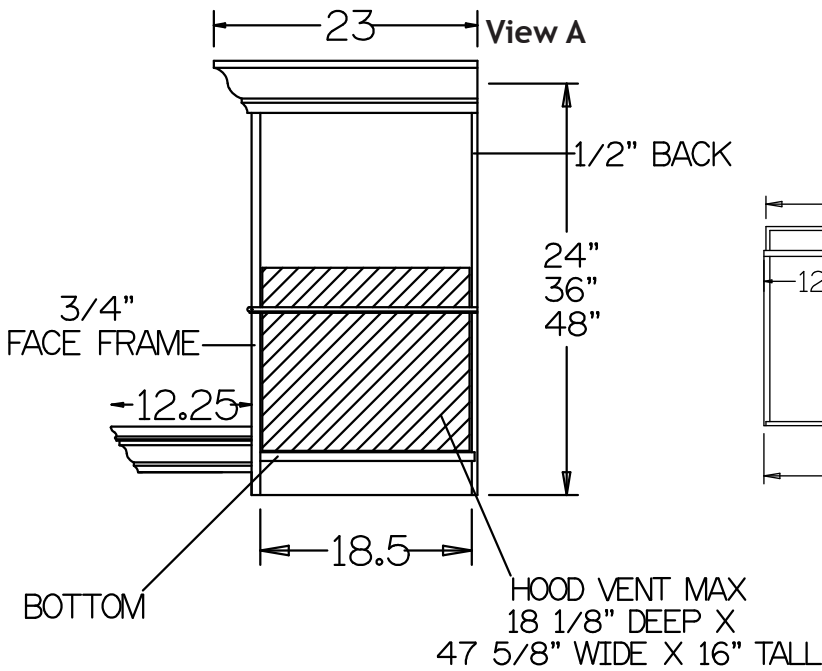
HWU 60-10

Hoods

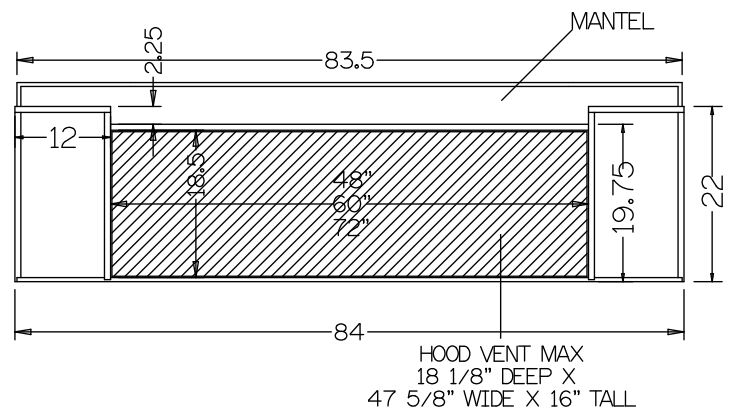
HWV



VIEW A



VIEW B

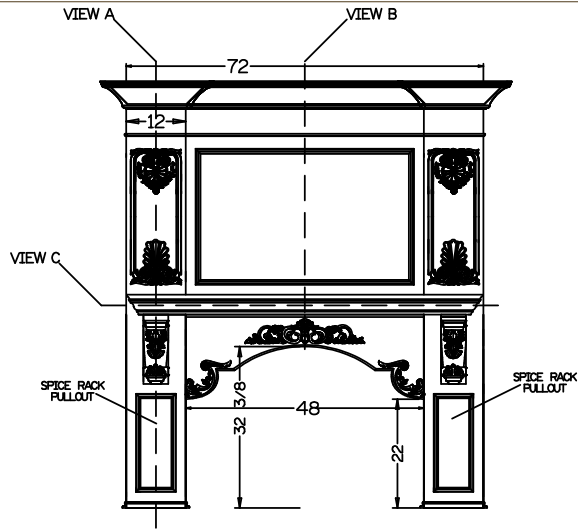


VIEW C

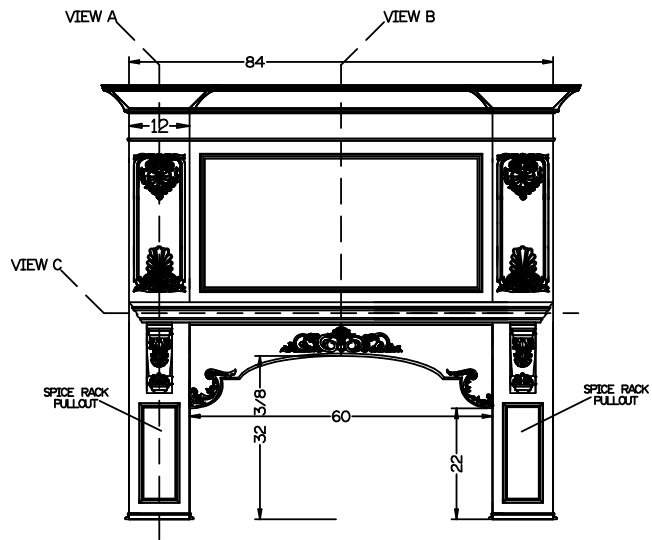
Hoods

HWV

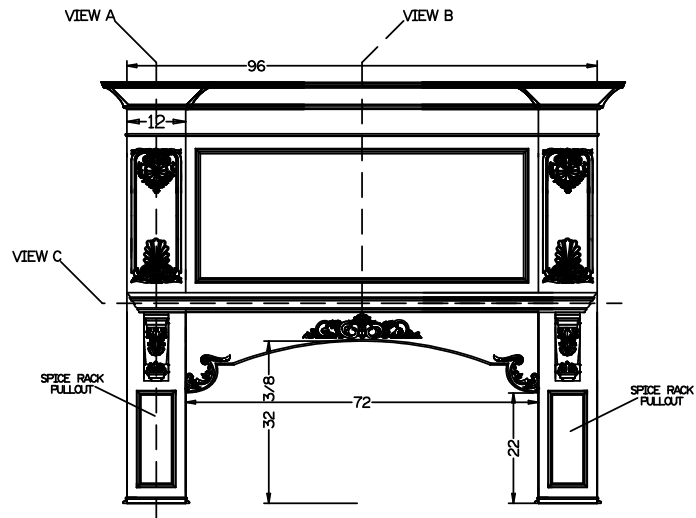
HWV 36-10



HWV 48-10

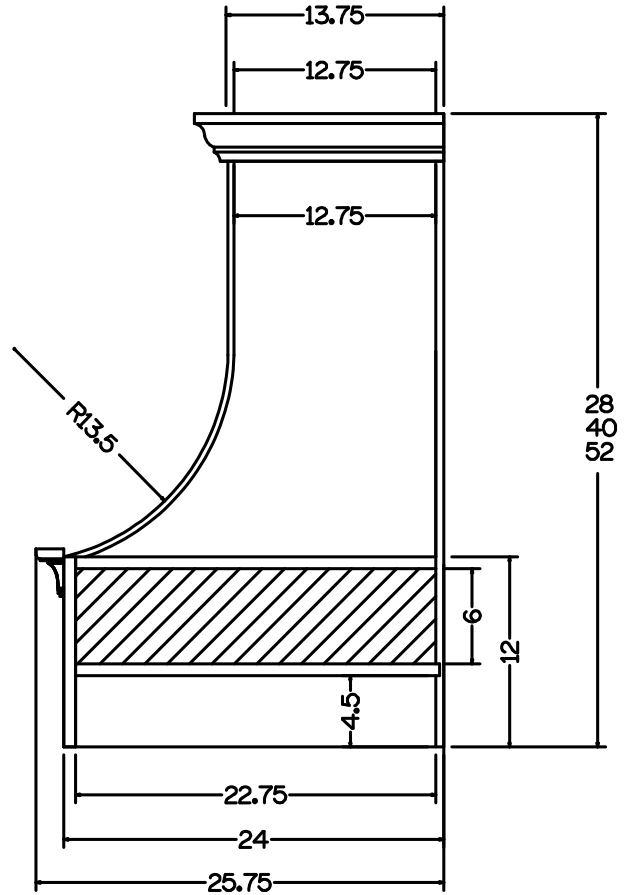


HWV 60-10

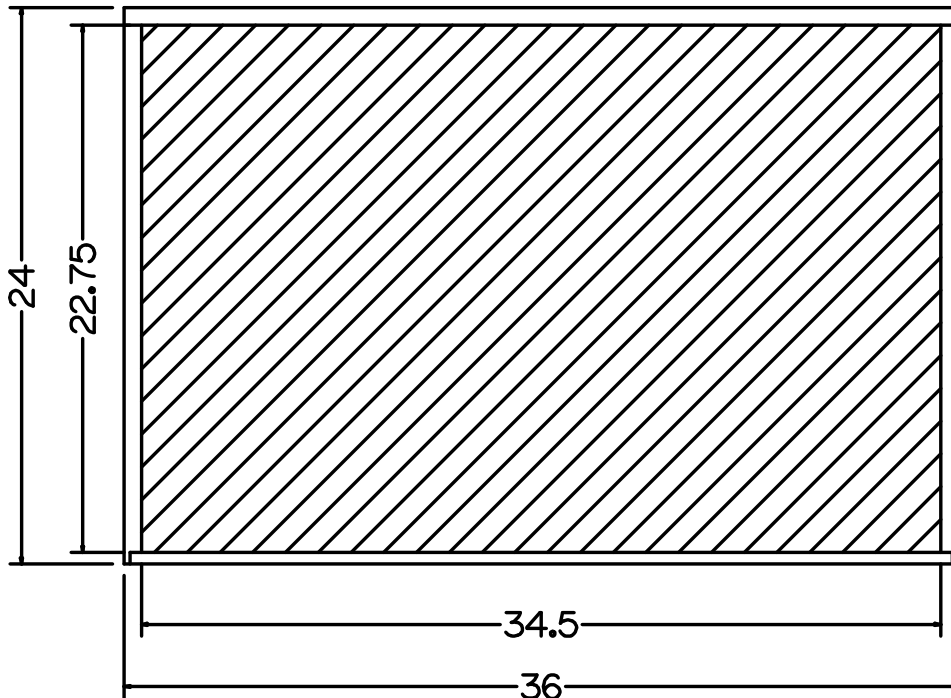


Hoods

HWW



VIEW A



VIEW B

Hoods

HWW

